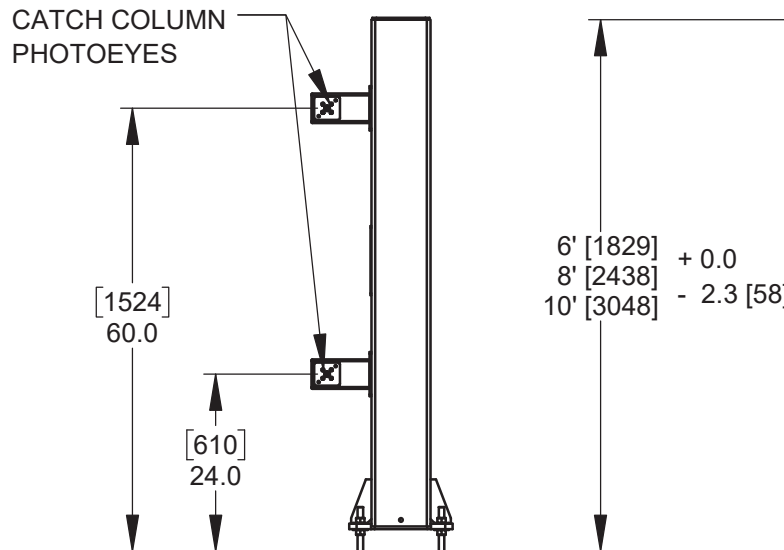
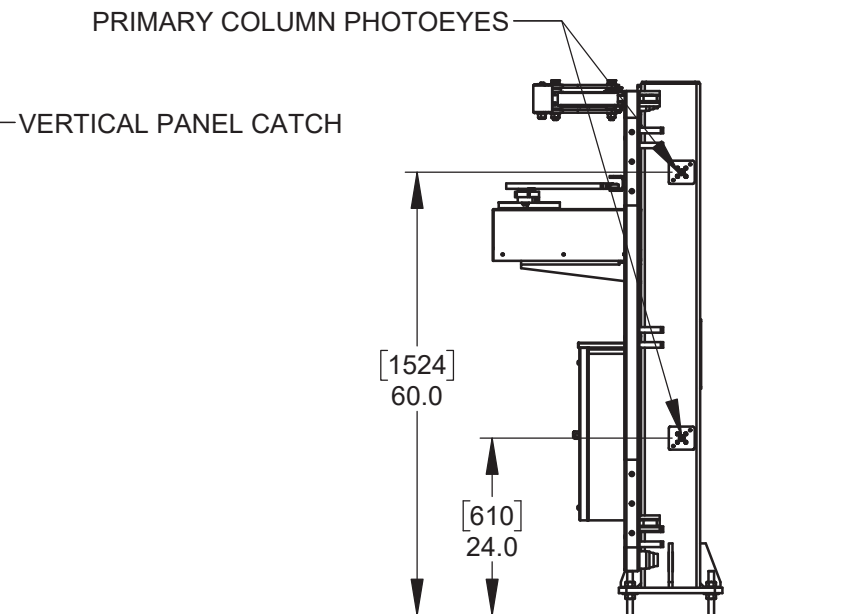


GATE CONTROLLER IS MOUNTED IN A 24" [610] x 20" [508] x 8" [203] NEMA 3R ENCLOSURE. ENCLOSURE MUST BE MOUNTED WITHIN 10' [3048] OF GATE OPERATOR. ENCLOSURE IS SHOWN IN RECOMMENDED COLUMN MOUNTING LOCATION USING SUPPLIED BRACKET. **POWER REQUIREMENTS: 115 / 230 VAC, SINGLE PHASE, 20A**



SECTION B-B



SECTION A-A

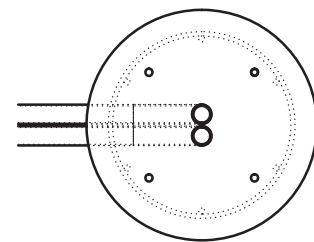
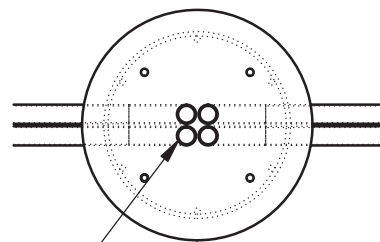
NOTES:
DIMENSIONS ARE SHOWN INCHES, DIMENSIONS SHOWN IN [] ARE IN MILLIMETERS, UNLESS OTHERWISE NOTED.

FINISH NOTES:
- STANDARD FINISH: HOT DIPPED GALVANIZED.
- OPTIONAL FINISH: POWDER COAT PAINT, CUSTOM COLORS AVAILABLE. RAL # MUST BE SPECIFIED AT TIME OF ORDER.

WALLACE
PERIMETER SECURITY

115 Lowson Crescent
Winnipeg, Manitoba, Canada, R3P 1A6
Phone: 1-866-300-1110
Fax: 1-204-284-1868
Web: www.wallaceperimetersecurity.com

Description:		FOLDSMART XT, 2-FOLD (C1) TRACKLESS BI-FOLDING GATE SYSTEM STANDARD DIMENSIONS	
Customer:			
Finish:	SEE FINISH NOTES	Date:	9/9/2024
Drawing No.	FSXT-2FC1-03-22-24	Rev.	Sheet: 1 of 5

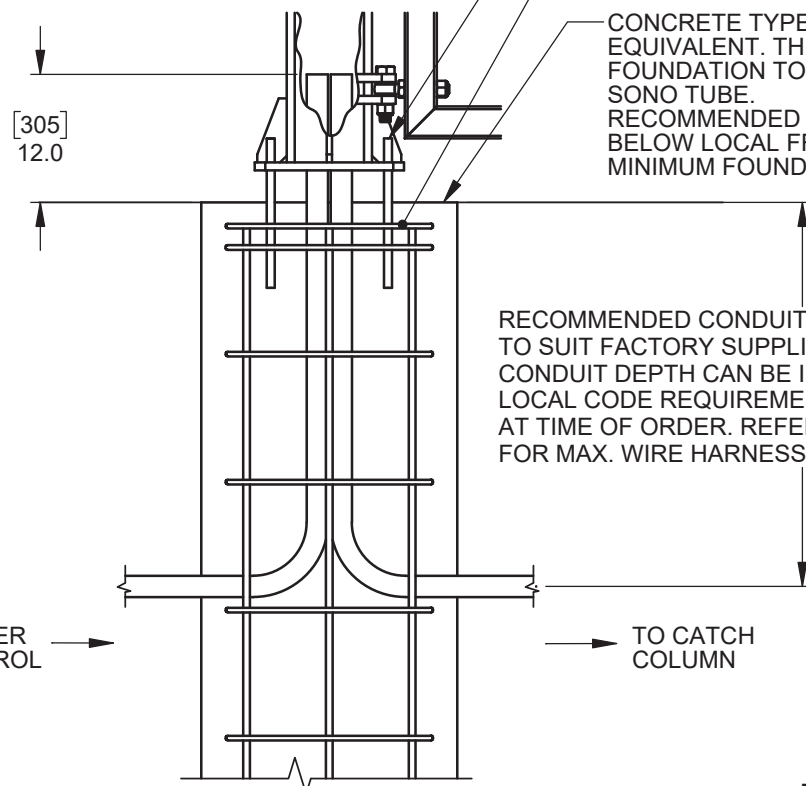


4 PCES. 1" [25] CONDUIT - BY OTHERS
2 IN PRIMARY COLUMN, FROM INCOMING
POWER SUPPLY / ACCESS CONTROL.
2 IN SECONDARY COLUMN FROM PRIMARY
COLUMN.

.75" [19] HILTI HAS 5.8 x 17" [432] ANCHOR BOLTS
ADHESIVE: HILTI HVU OR APPROVED EQUIVALENT.

REINFORCING STEEL:
10M ϕ 19 [493] REBAR RINGS SPACED @ 12 [305] O/C
DOUBLE RINGS AT TOP. 8 - 15M REBAR VERTICALS

CONCRETE TYPE 50 32 MPa OR LOCAL
EQUIVALENT. THE TOP 72.0 [1828] OF
FOUNDATION TO BE ENCASED IN ϕ 24.0" [610]
SONO TUBE.
RECOMMENDED FOUNDATION DEPTH IS 36.0 [914]
BELOW LOCAL FROST LINE.
MINIMUM FOUNDATION DEPTH 96.0" [2438]

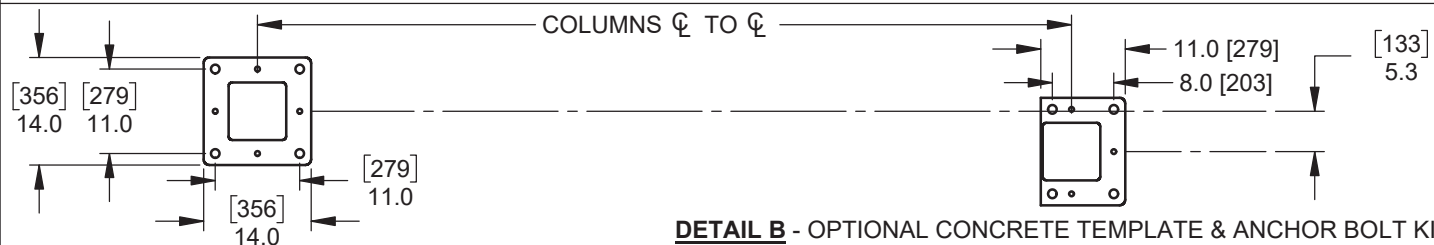


RECOMMENDED CONDUIT DEPTH 36.0 [914]
TO SUIT FACTORY SUPPLIED WIRE HARNESS
CONDUIT DEPTH CAN BE INCREASED TO SUIT
LOCAL CODE REQUIREMENTS. MUST BE SPECIFIED
AT TIME OF ORDER. REFER TO CONTROLLER NOTE
FOR MAX. WIRE HARNESS LENGTH.

INCOMING POWER
/ ACCESS CONTROL

TO CATCH
COLUMN

DETAIL A - COLUMN FOUNDATIONS



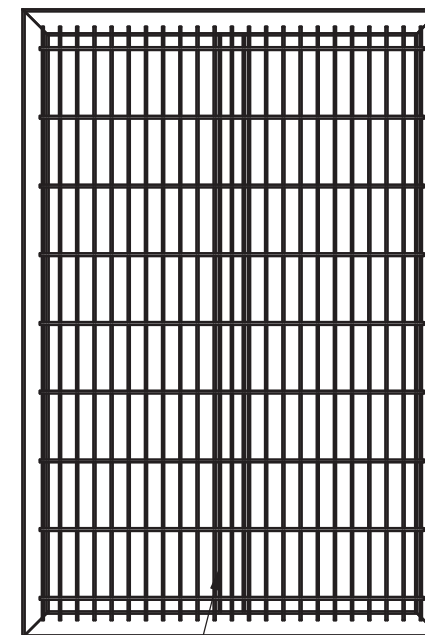
DETAIL B - OPTIONAL CONCRETE TEMPLATE & ANCHOR BOLT KIT

INCLUDED WITH FOLDSMART

- 1 - ELECTRICAL CONTROLLER MOUNTED IN A 24" [610] x 20" [508] x 8" [203] NEMA 3R ENCLOSURE.
- KEY FOR MANUAL PANEL RELEASE

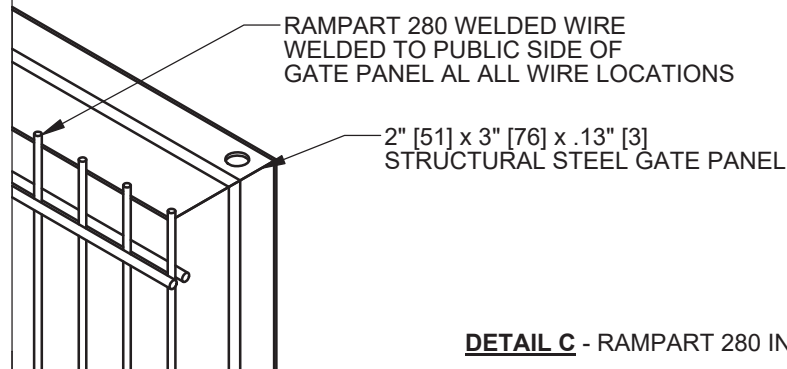
OPTIONS:

- CONCRETE TEMPLATE & ANCHOR BOLT KIT
- VEHICLE DETECTION LOOP RELAYS
- VEHICLE DETECTION LOOPS, DIRECT BURIAL OR SAW CUT
- SURFACE MOUNTED CENTER CATCH
- 4" [102] RED / GREEN LED TRAFFIC LIGHT
- 5" AMBER LOW PROFILE STROBE LIGHT
- ANTI - CLIMB
- BARBED WIRE
- PANEL EXTENSIONS
- ACCESS CONTROL PEDESTALS
- BOLLARDS / BOLLARD COVERS



PANELS HAVE AN ADDITIONAL
3.0 [76] x 2.0 [51] x .13 [3] HSS
VERTICAL MEMBER @ CENTERLINE
OF PANEL

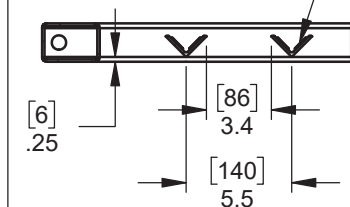
DETAIL C2



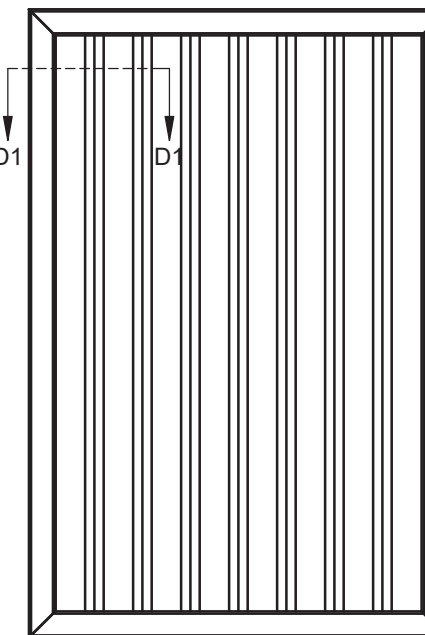
DETAIL C - RAMPART 280 INFILL

DETAIL D1

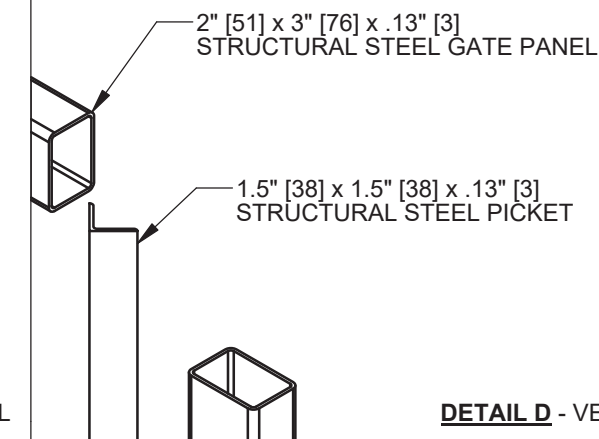
PICKETS ARE WELDED
TO GATE PANEL ON
INNER FACE OF PICKET



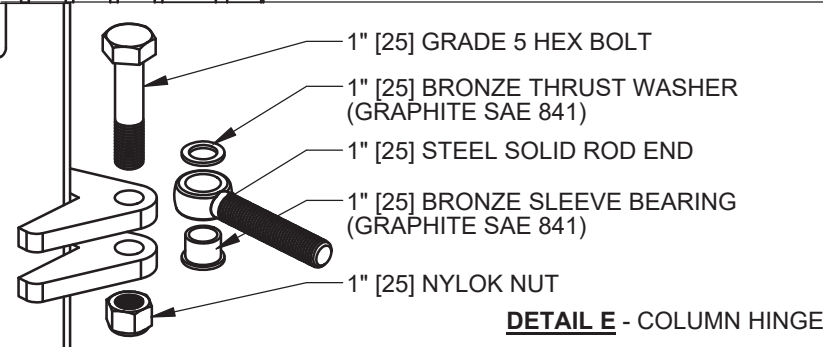
PUBLIC SIDE



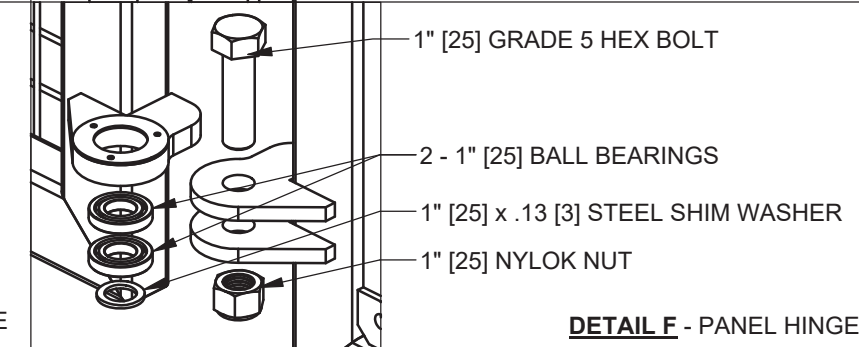
DETAIL D2



DETAIL D - VERTICAL PICKET INFILL



DETAIL E - COLUMN HINGE



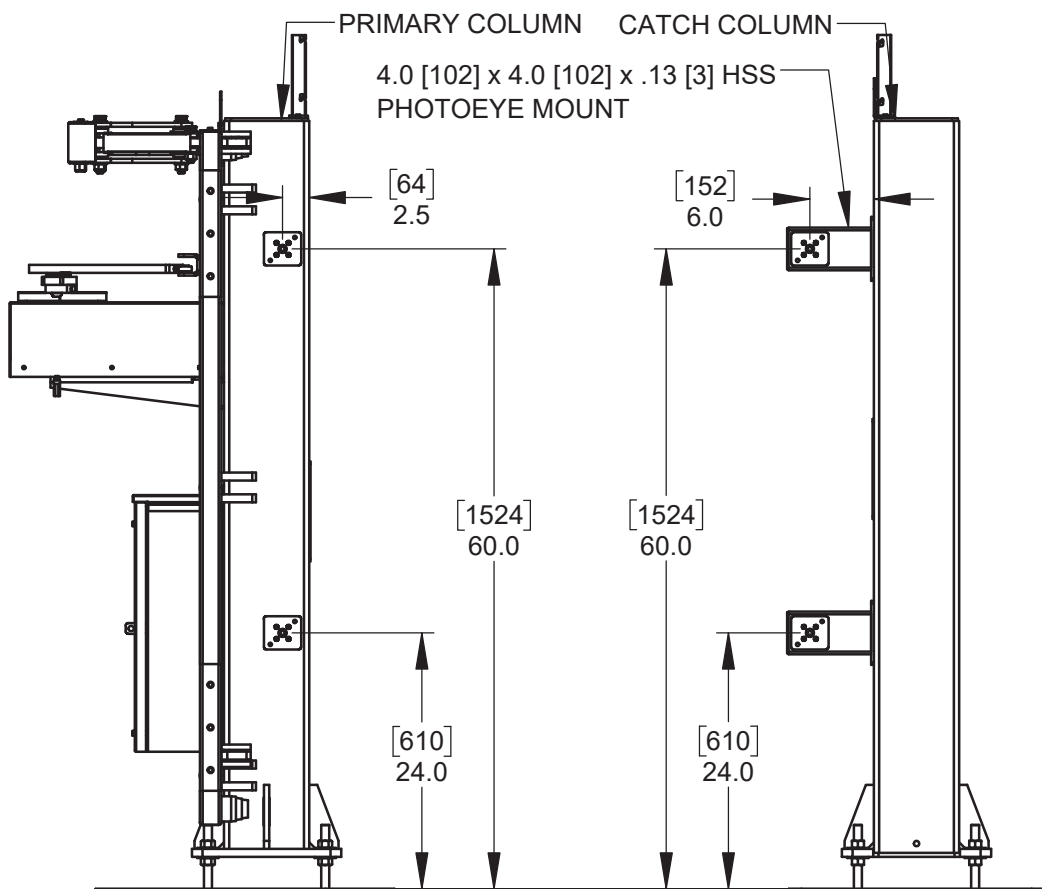
DETAIL F - PANEL HINGE



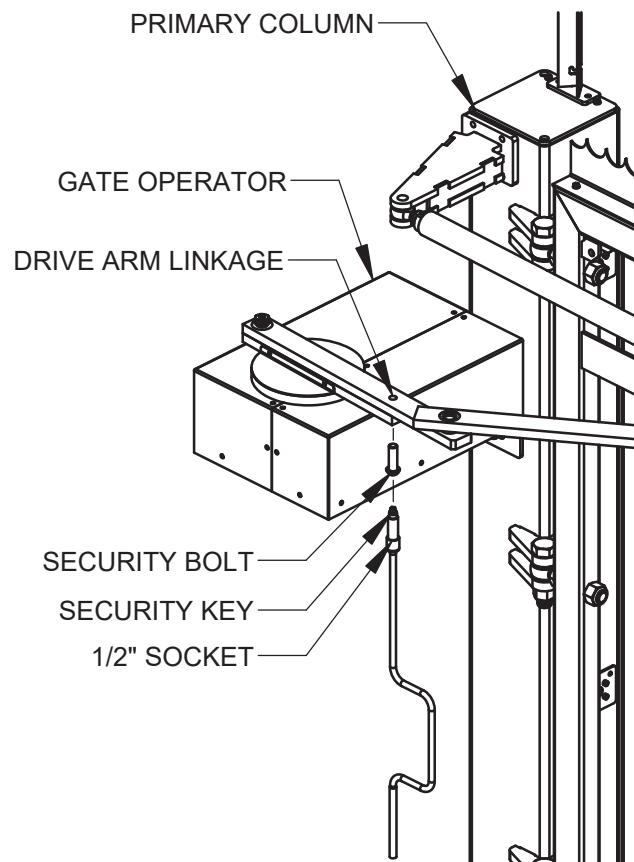
115 Lawson Crescent
Winnipeg, Manitoba, Canada, R3P 1A6
Phone: 1-866-300-1110
Fax: 1-204-284-1868
Web: www.wallaceperimetersecurity.com

Description: FOLDSMART XT, 2-FOLD (C1) TRACKLESS BI-FOLDING GATE SYSTEM	
Customer:	
Finish: SEE FINISH NOTES PAGE 1	Date: 9/9/2024
Drawing No. FSXT-2FC1-01-03-22-24	Rev. Sheet: 2 of 5

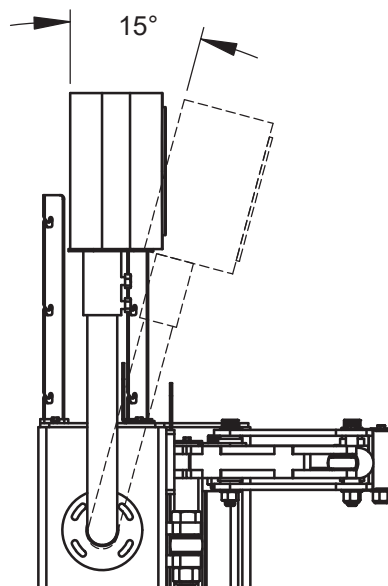
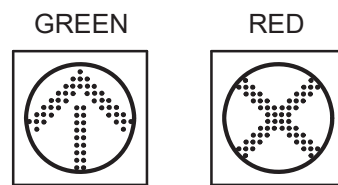
DETAIL G - PHOTOEYES



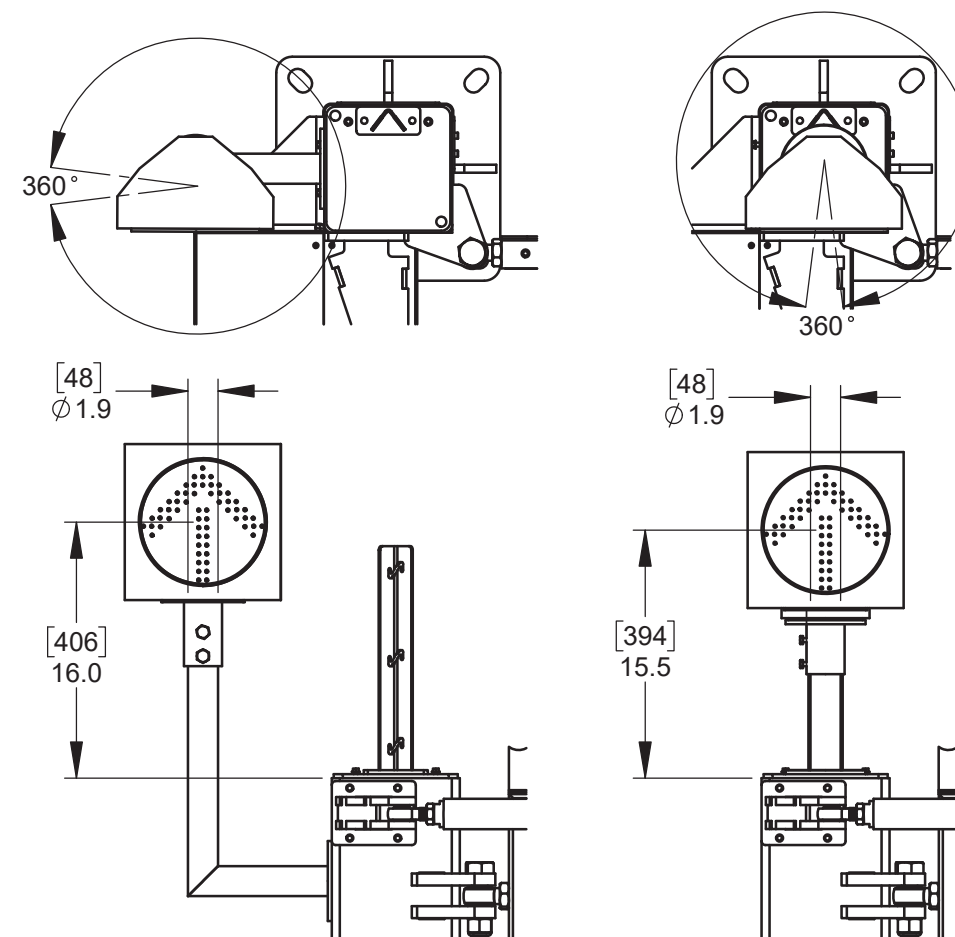
DETAIL H - MANUAL OPERATION RELEASE



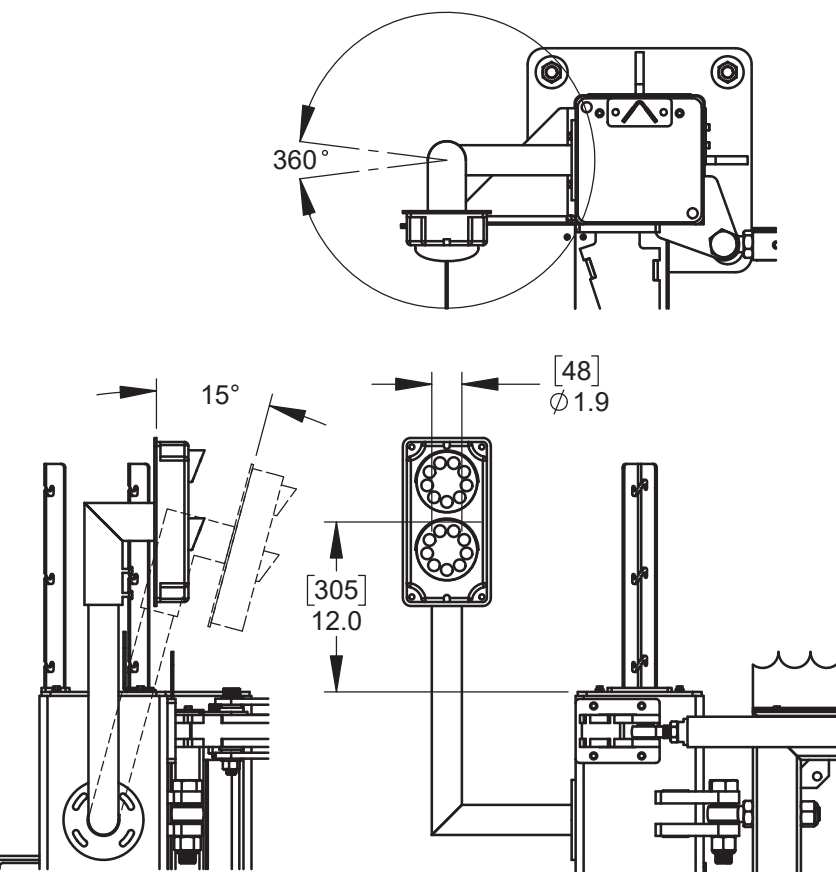
DETAIL I1 - 8" [203] RED / GREEN LED TRAFFIC LIGHT (SIDE MOUNT)



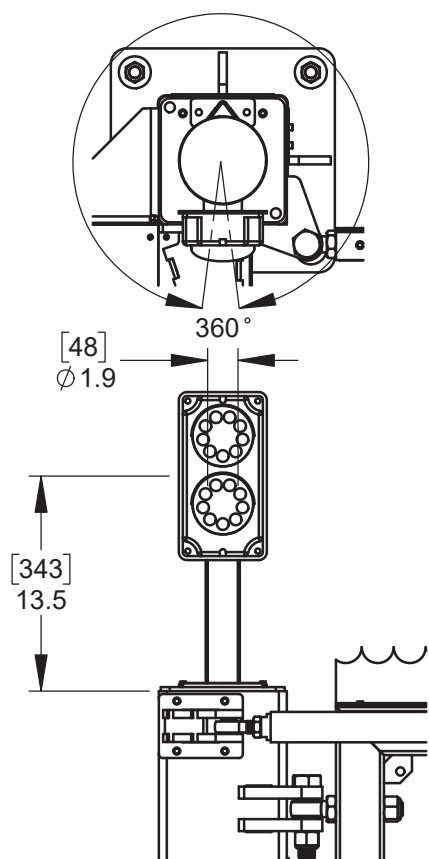
DETAIL I2 - (TOP MOUNT)



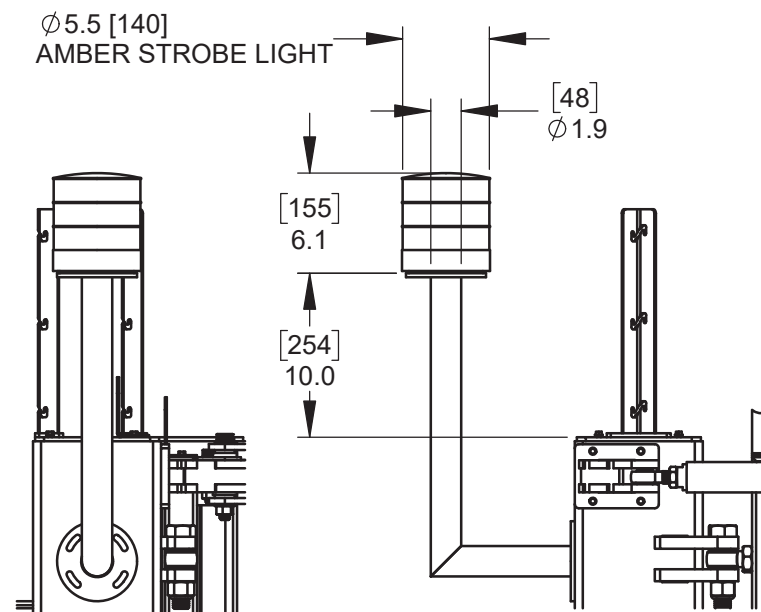
DETAIL J1 - 4" [102] RED / GREEN LED TRAFFIC LIGHT (SIDE MOUNT)



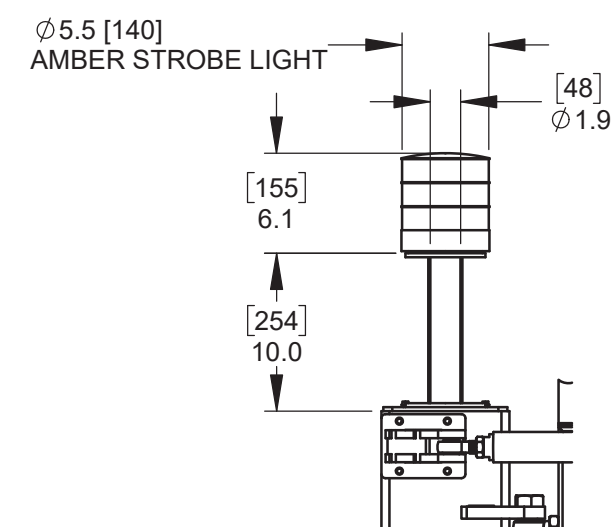
DETAIL J2 - (TOP MOUNT)



DETAIL K1 - STROBE LIGHT (SIDE MOUNT)



DETAIL K2 - (TOP MOUNT)



115 Lawson Crescent
Winnipeg, Manitoba, Canada, R3P 1A6
Phone: 1-866-300-1110
Fax: 1-204-284-1868
Web: www.wallaceperimetersecurity.com

Description:
**FOLDSMART XT, 2-FOLD (C1)
TRACKLESS BI-FOLDING GATE SYSTEM
OPTIONS**

Customer:

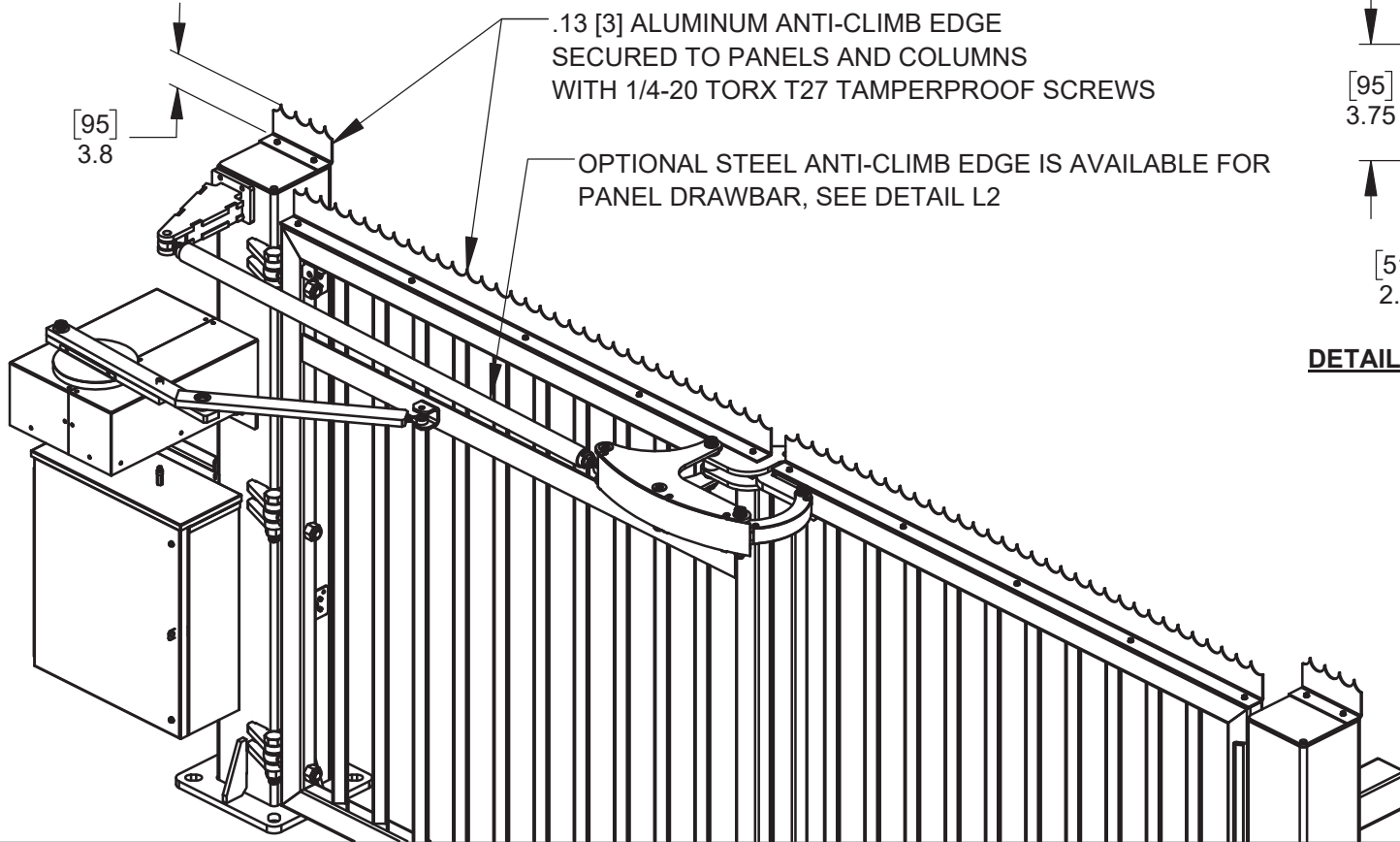
Finish:
SEE FINISH NOTES

Date:
9/9/2024

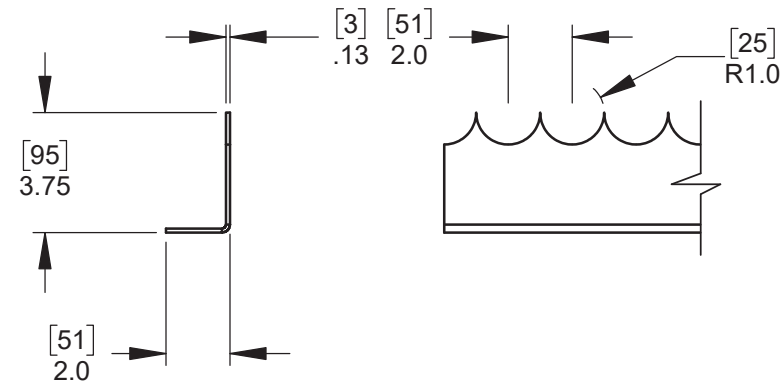
Drawing No.
FSXT-2FC1-03-22-24

Rev. Sheet:
3 of 5

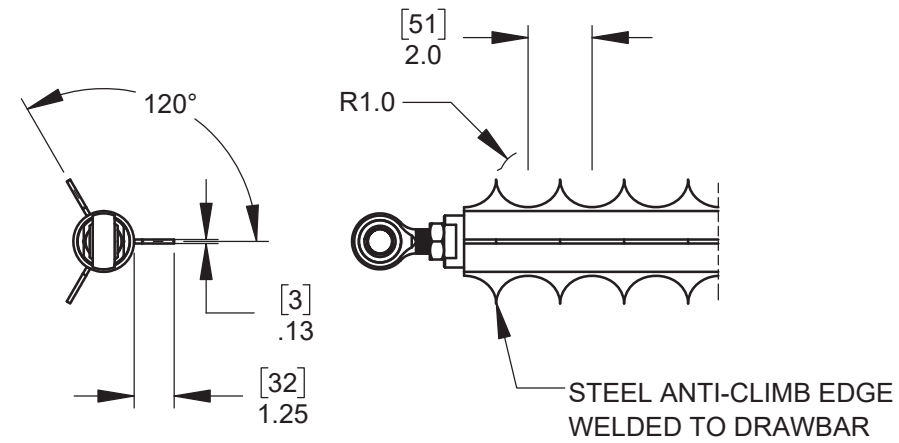
DETAIL L - ALUMINUM ANTI-CLIMB EDGE



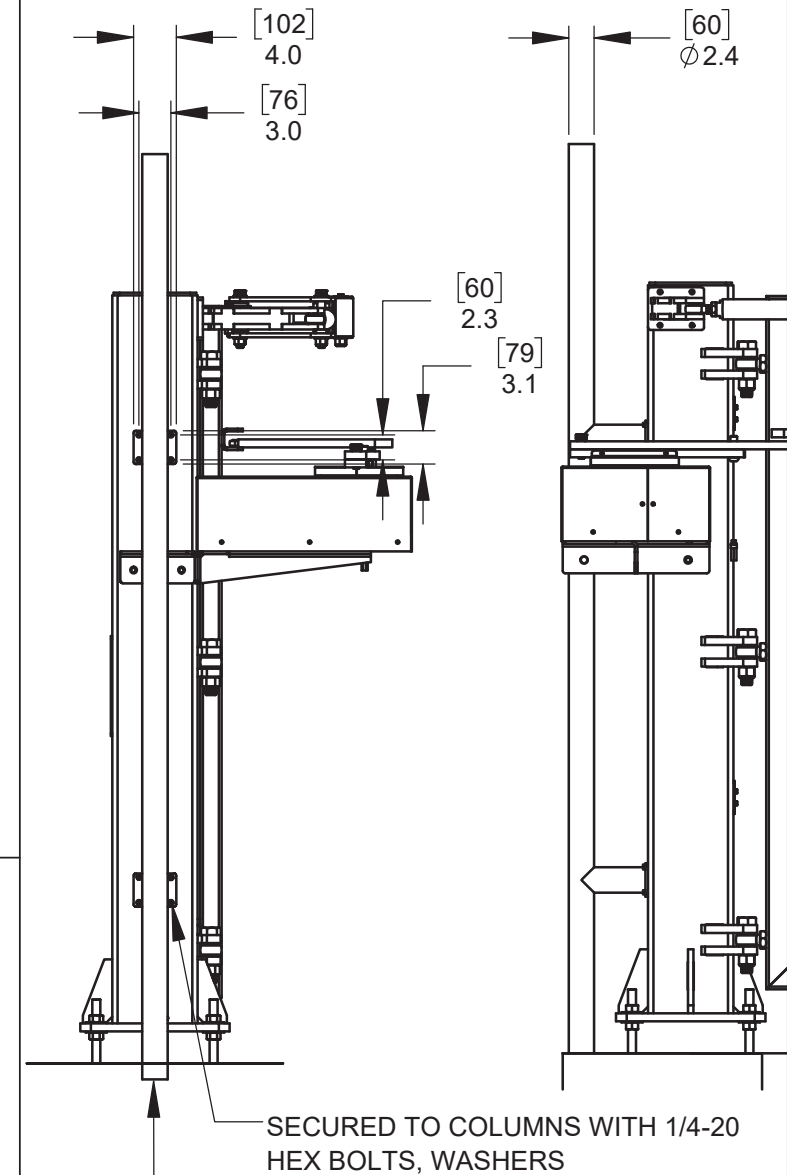
DETAIL L1 - STANDARD PANEL / COLUMN ALUMINUM ANTI-CLIMB EDGE



DETAIL L2 - OPTIONAL DRAWBAR STEEL ANTI-CLIMB EDGE

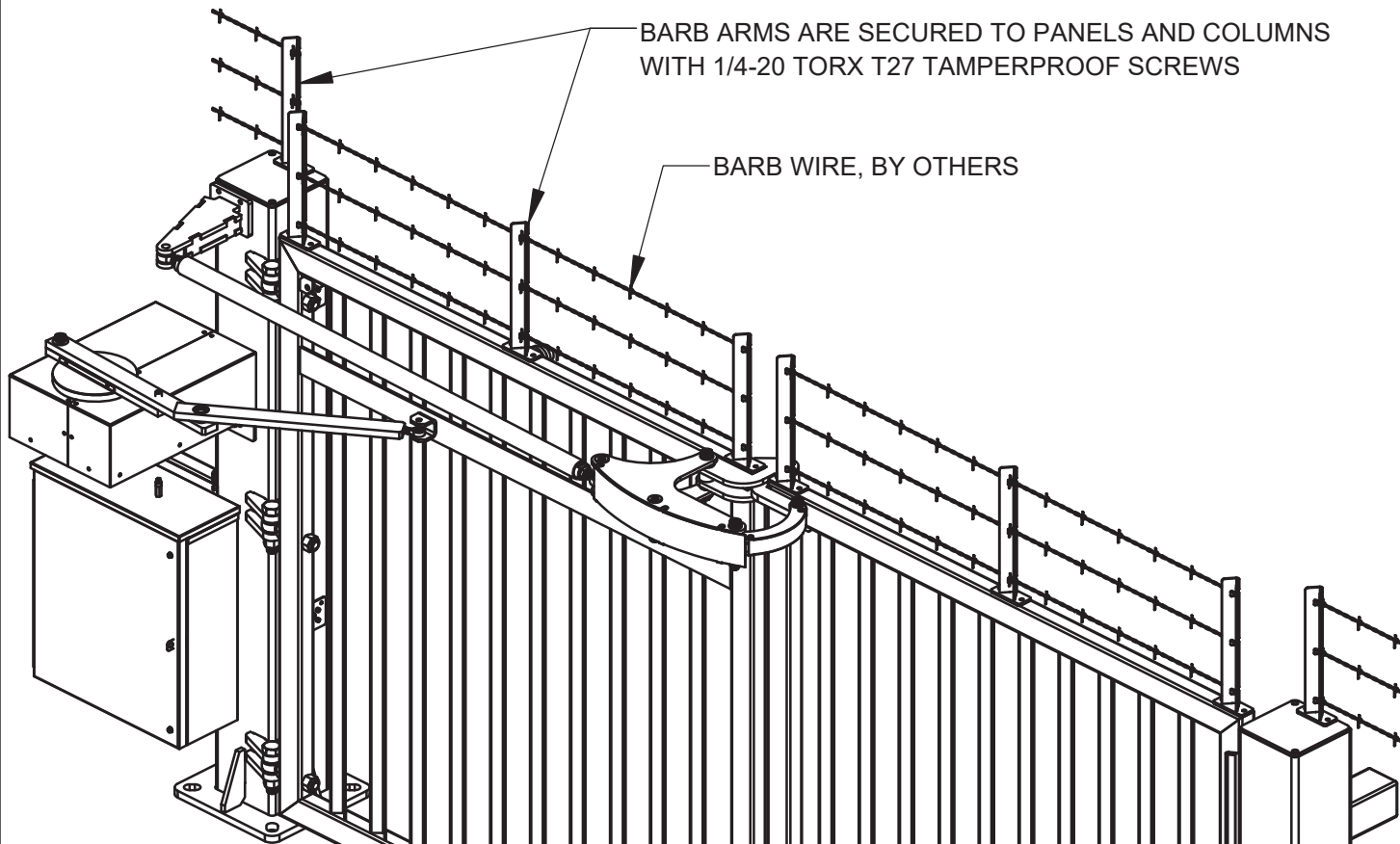


DETAIL N - FENCE MOUNTS

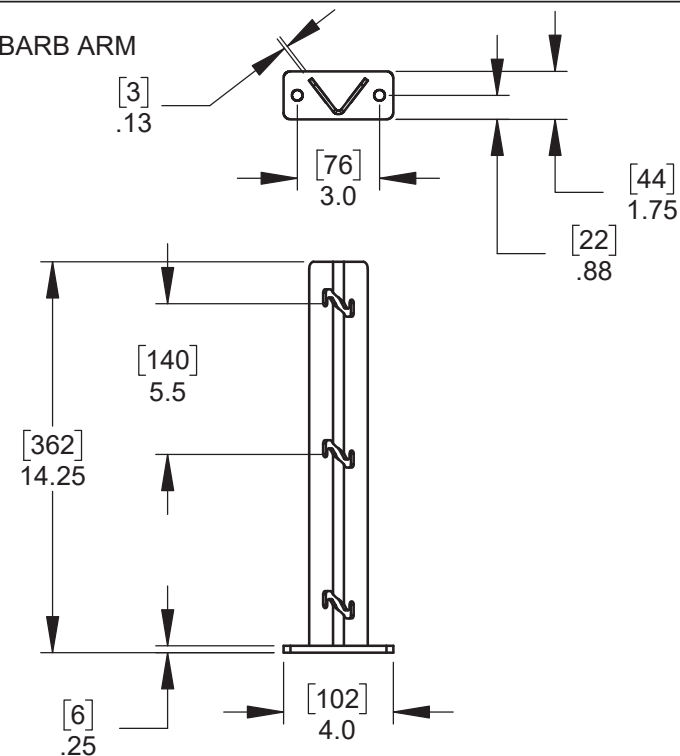


FENCE MOUNTS ARE SUPPLIED LONG TOP & BOTTOM FOR FIELD TRIMMING AFTER GATE INSTALLATION AND LEVELING IS COMPLETE. FENCE MOUNTS HEIGHTS CAN BE ADJUSTED TO SUIT NEW OR EXISTING FENCE LINES.

DETAIL M - BARB WIRE ANTI-CLIMB



DETAIL M1 - .13 [3] STEEL BARB ARM

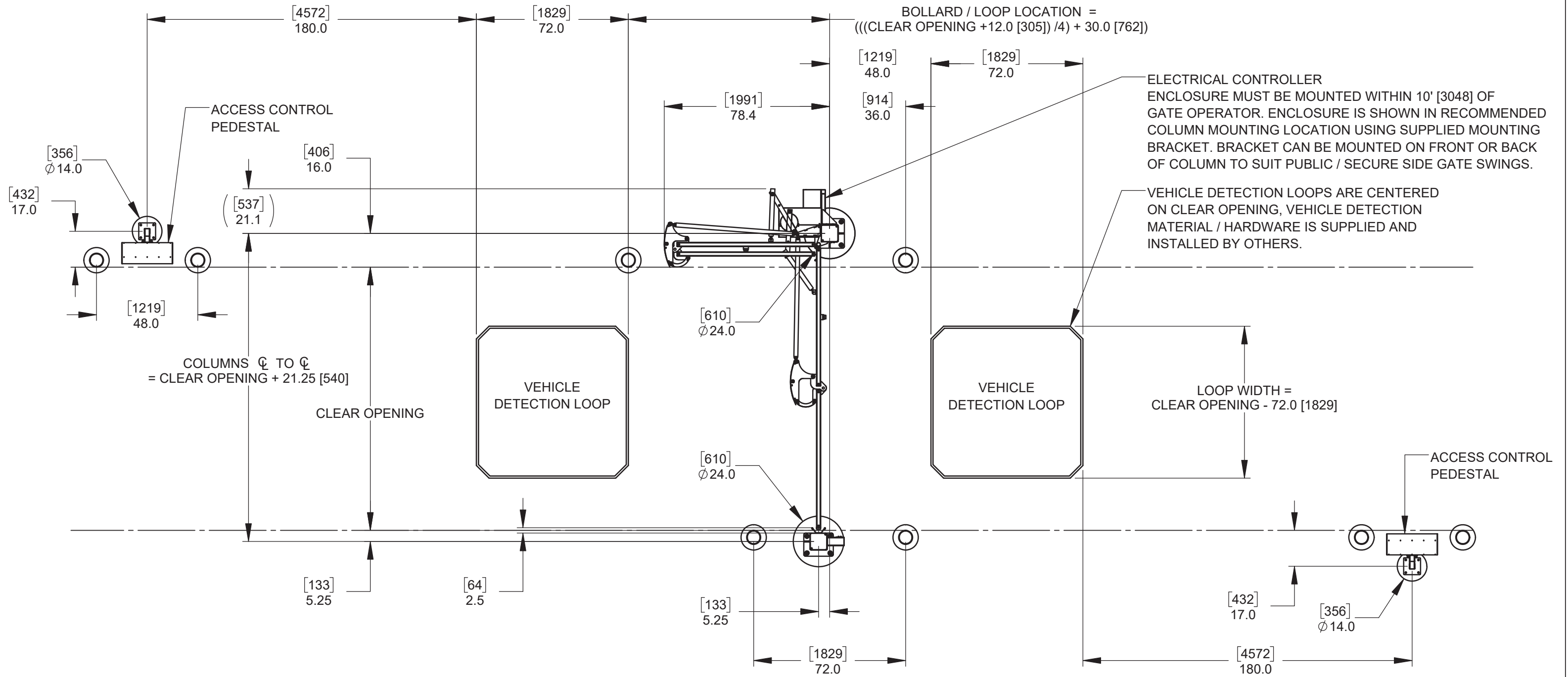


Description:
**FOLDSMART XT, 2-FOLD (C1)
TRACKLESS BI-FOLDING GATE SYSTEM**

Customer:		Date: 9/9/2024	
Finish: SEE FINISH NOTES		Sheet: 4 of 5	
Drawing No. FSXT-2FC1-03-22-24		Rev.	

WALLACE
PERIMETER SECURITY

115 Lawson Crescent
Winnipeg, Manitoba, Canada, R3P 1A6
Phone: 1-866-300-1110
Fax: 1-204-284-1868
Web: www.wallaceperimetersecurity.com



NOTE:
 BOLLARD INFORMATION IS SUPPLIED AS A REFERENCE ONLY.
 ALL FINAL MATERIALS AND DIMENSIONS ARE SUPPLIED AND INSTALLED BY OTHERS.



115 Lawson Crescent
 Winnipeg, Manitoba, Canada, R3P 1A6
 Phone: 1-866-300-1110
 Fax: 1-204-284-1868
 Web: www.wallaceperimetersecurity.com

Description:		FOLDSMART XT, 2-FOLD (C1) TRACKLESS BI-FOLDING GATE SYSTEM GENERIC SITE LAYOUT	
Customer:			
Finish:	SEE FINISH NOTES	Date:	9/9/2024
Drawing No.	FSXT-2FC1-03-22-24	Rev.	Sheet: 5 of 5