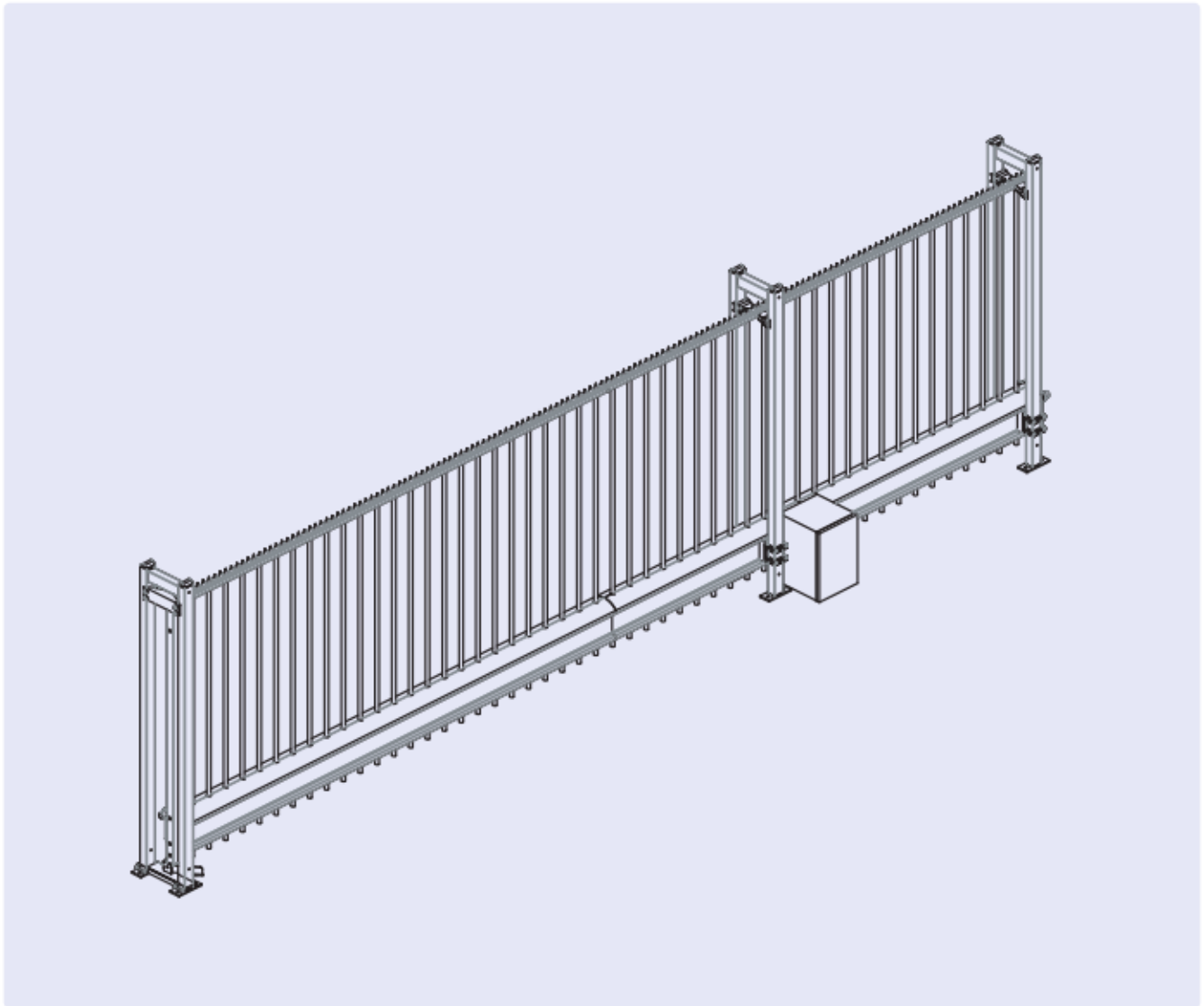


[Installation manual](#)

# Delta



## Disclaimer

Read the full manual before installation. All described work must be performed by certified personnel. Should you deviate from the described actions, any guarantee entitlement and liability of the manufacturer shall no longer apply.

## Safety

Always wear the correct protective clothing when performing the work.

Always use a lifting tool/hoisting system when moving heavy and/or large objects.

Always use suitable tools.

Adding or removing parts other than as described in this manual can have negative consequences on the operation and, therefore, the safe operation of the final product and we categorically advise against this.



**DANGER!** Have work on electric parts only performed by certified personnel.

## Removing and disassembling

Dispose of the product in accordance with local legislation and regulations.

For use and maintenance see the user manual and/or service manual.

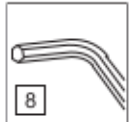
## Dimensioning

All sizes and dimensions are in mm unless stated otherwise.

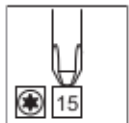
## Explanation of used symbols



Use an open-end spanner  
The number specifies the insertion size in mm.



Use an Allen key  
The number specifies the insertion size in mm.



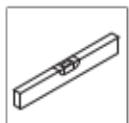
Use a screwdriver  
The symbol specifies the type of screw. The number specifies the size of the screw.



Use an electric screwdriver  
The symbol specifies the type of screw. The number specifies the size of the screw.



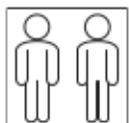
Use a drill  
The number specifies the drill bit diameter in mm.



Ensure that the specified levels are level.



Dig a hole



Do not perform the work on your own.



Use a lifting tool/hoisting system.



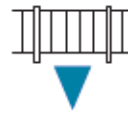
Use concrete  
Follow the instructions on the packaging.



Use grout  
Follow the instructions on the packaging.



Line of action of the gate  
Specifies the line of action of the gate.



Fencing line  
Specifies the fencing line of an (existing) fence.



Viewing angle  
A different viewing angle is used.



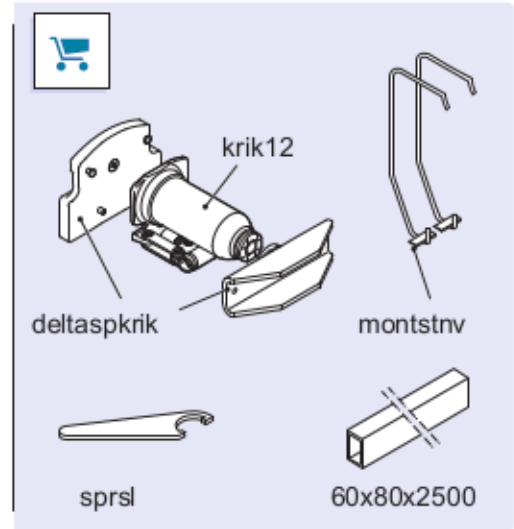
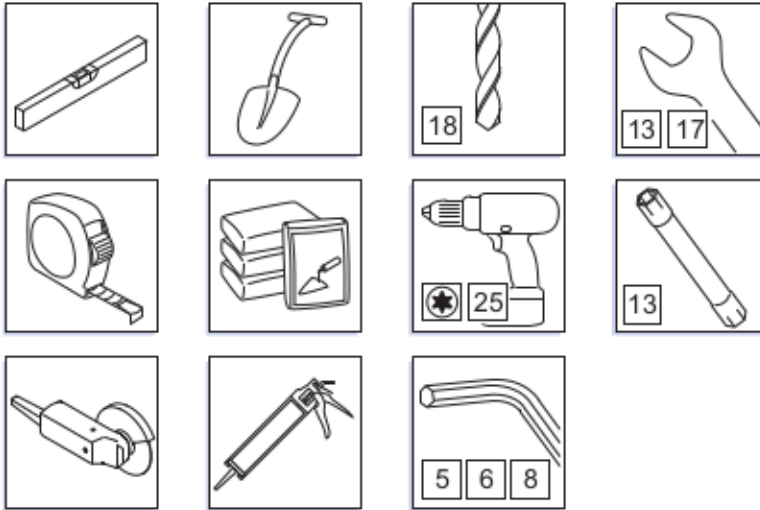
Extra to order



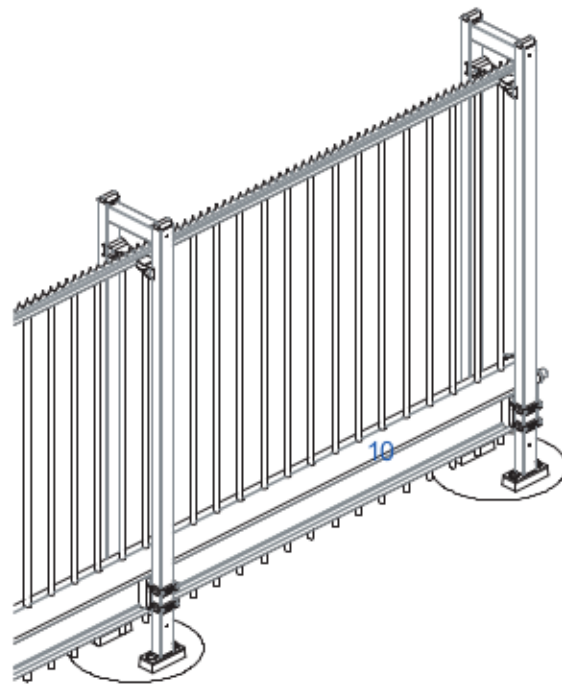
Page reference  
Specifies a reference to a page.

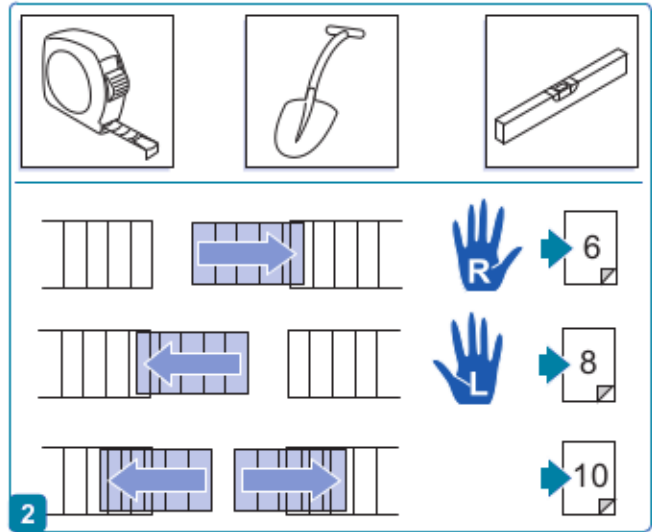
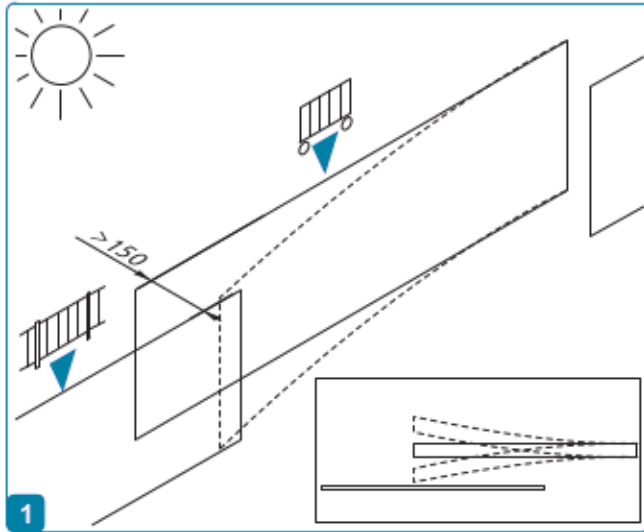


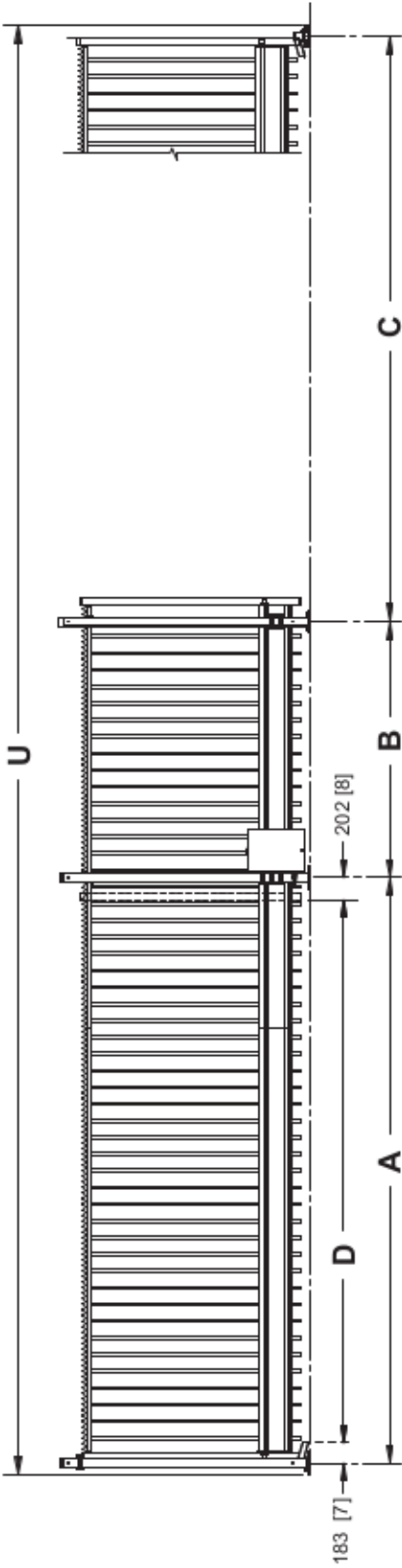
Drawing reference  
Specifies a reference to a drawing number.




5

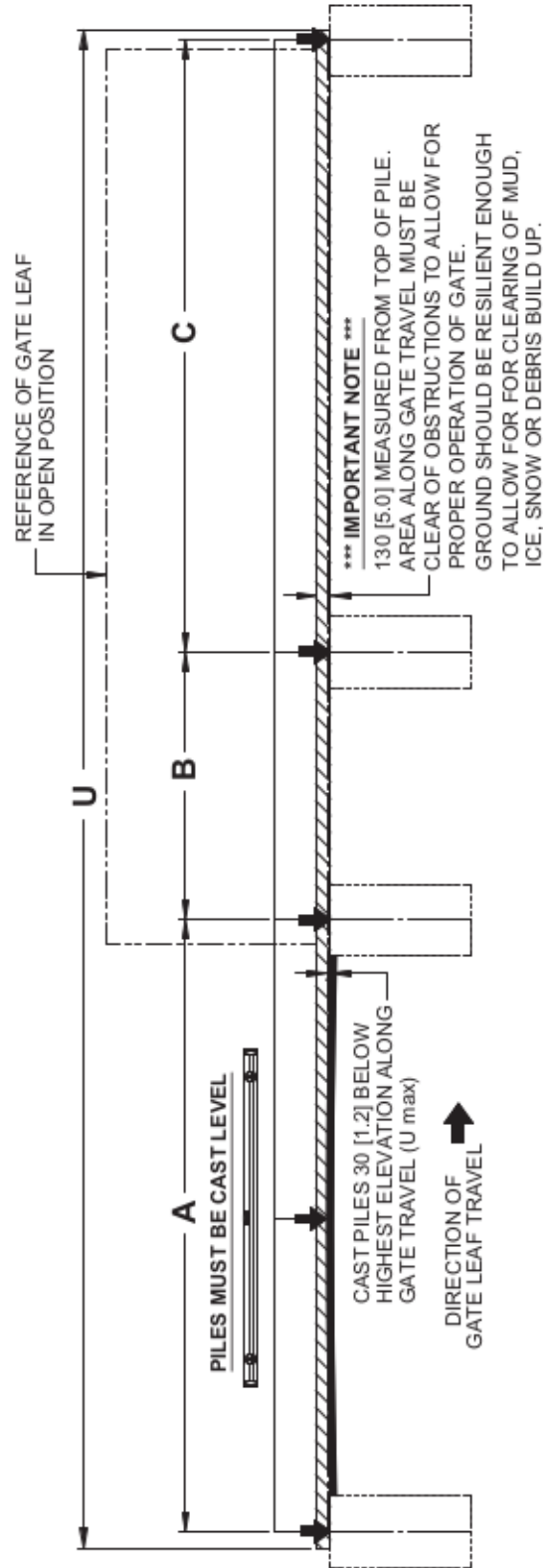
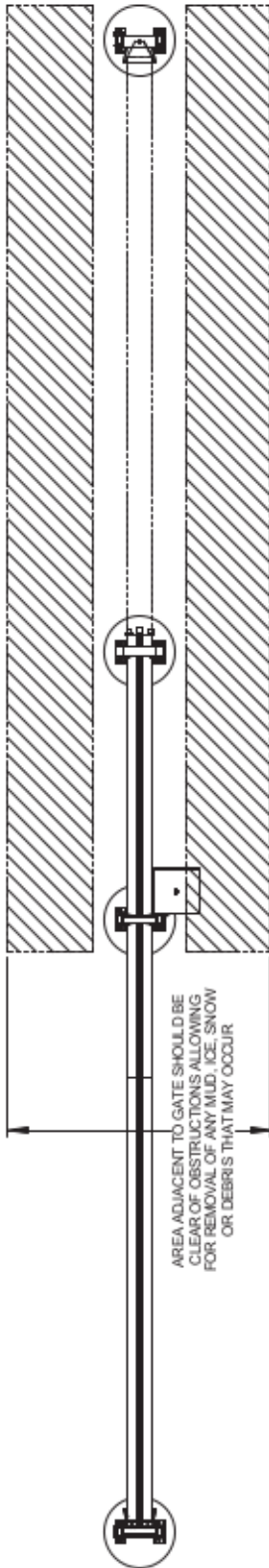


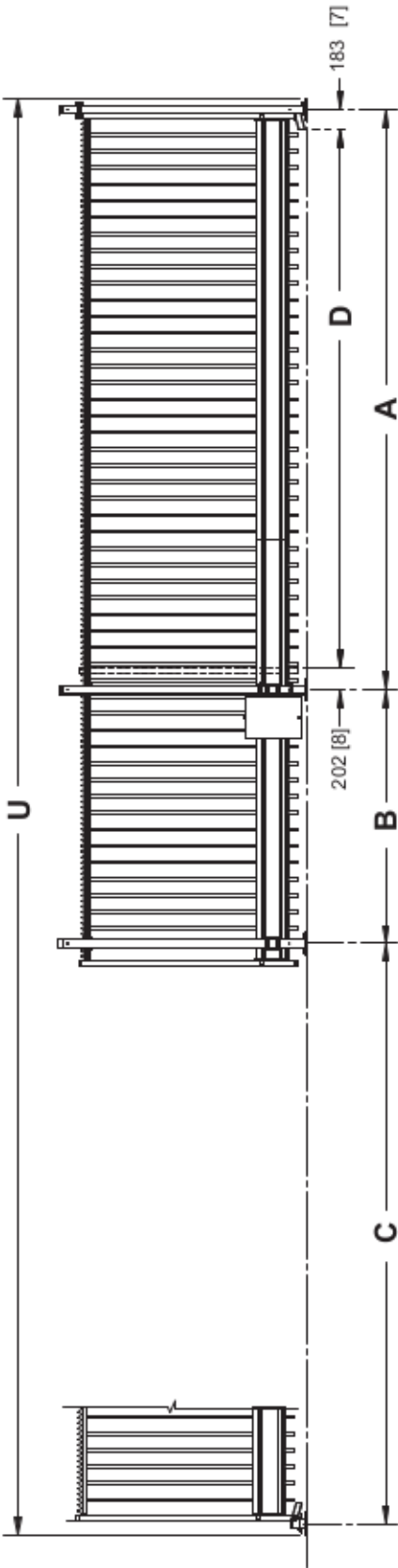




Delta Model	A	B	C	D	U max	Picket Qty	Beam Length
30/150	3310 [130.3]	1800 [70.1]		2925 [115.2]	8560 [337.0]	34	5150 [202.8] (x1)
30/200							
30/250							
40/150	4360 [171.2]	1800 [70.1]		3975 [156.5]	10660 [419.7]	41	6200 [244.1] (x1)
40/200							
40/250							
50/150	5260 [207.1]	2300 [90.6]		4875 [191.9]	12960 [510.2]	50	3800 [149.6] (x2)
50/200							
50/250							
60/150	6160 [242.5]	2300 [90.6]		5775 [227.4]	14760 [581.1]	56	4250 [167.3] (x2)
60/200							
60/250							
70/150	7460 [293.7]	2800 [110.2]		7075 [278.5]	17860 [703.1]	68	5150 [202.8] (x2)
70/200							
70/250							
85/150	8660 [340.9]	2800 [110.2]	8660 [340.9]	8275 [325.8]	20260 [797.6]	76	5750 [226.4] (x2)
85/200							
85/250							
95/200	9560 [376.4]	2800 [110.2]	9560 [376.4]	9175 [361.2]	22060 [868.5]	82	6200 [244.1] (x2)
120/200	12489 [491.7]	3726 [146.7]	12489 [491.7]	12296 [484.1]	28899 [1137.8]	111	5400 [212.6] (x3)

**SITE INSTALLATION NOTES**

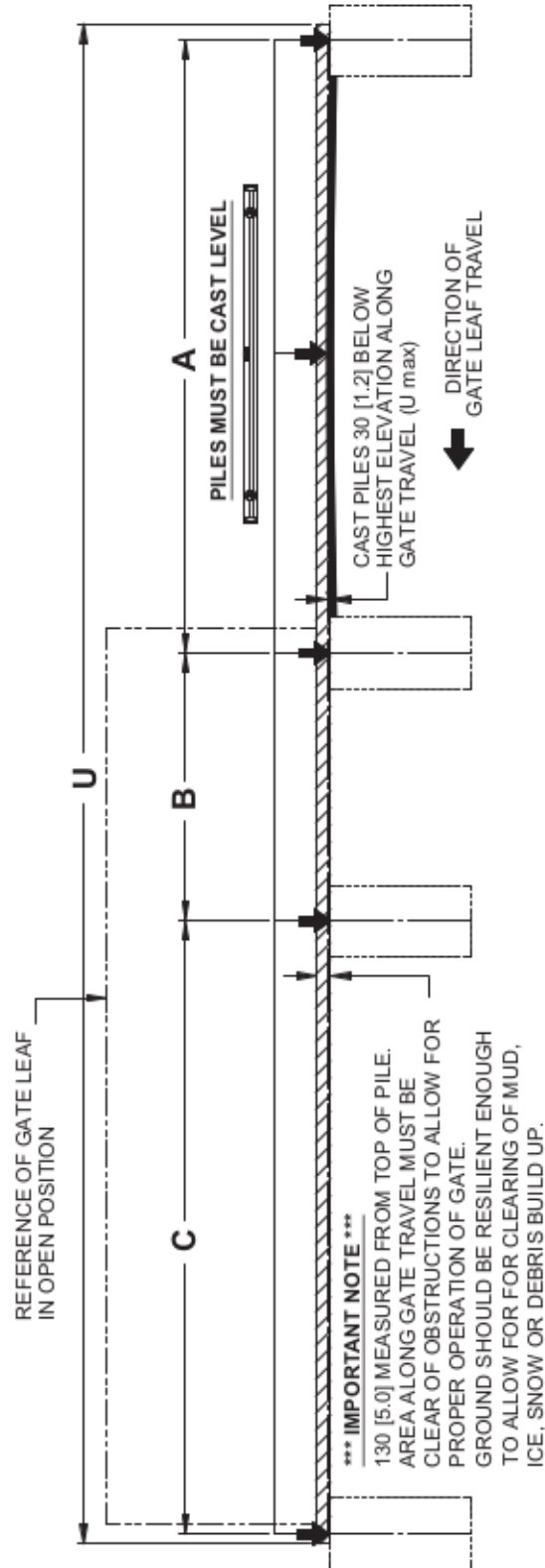
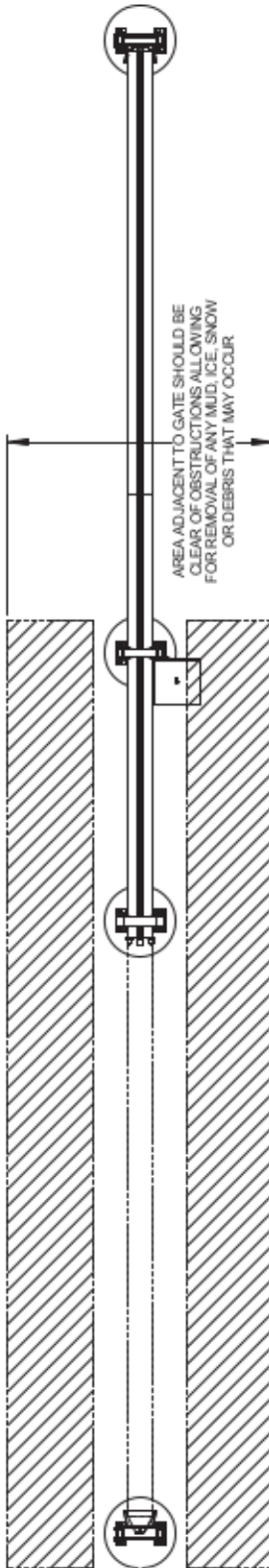


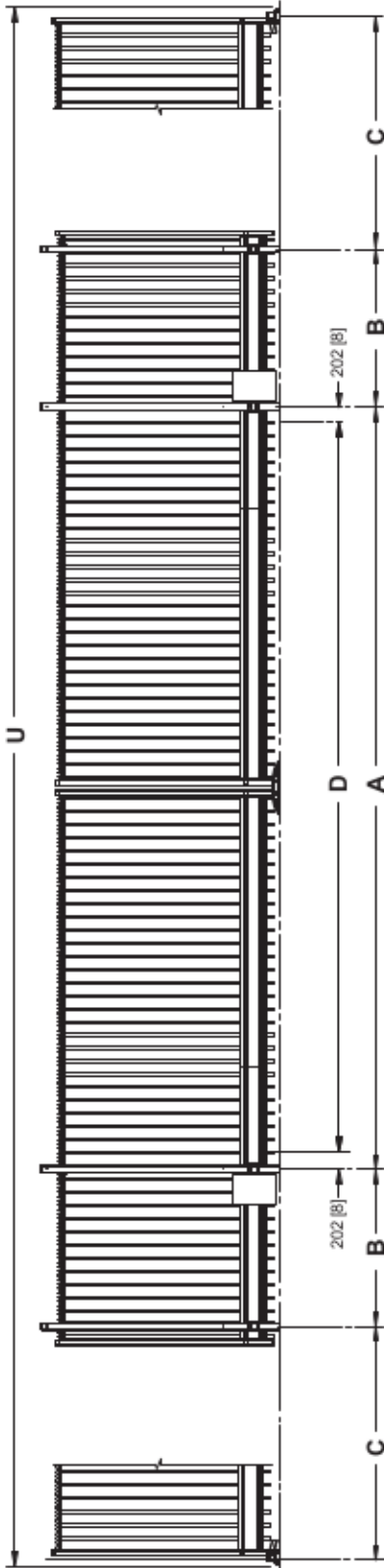


Delta Model	A	B	C	D	U max	Picket Qty	Beam Length
30/150	3310 [130.3]	1800 [70.1]		2925 [115.2]	8560 [337.0]	34	5150 [202.8] (x1)
30/200							
30/250							
40/150	4360 [171.2]	1800 [70.1]		3975 [156.5]	10660 [419.7]	41	6200 [244.1] (x1)
40/200							
40/250							
50/150	5260 [207.1]	2300 [90.6]		4875 [191.9]	12960 [510.2]	50	3800 [149.6] (x2)
50/200							
50/250							
60/150	6160 [242.5]	2300 [90.6]		5775 [227.4]	14760 [581.1]	56	4250 [167.3] (x2)
60/200							
60/250							
70/150	7460 [293.7]	2800 [110.2]		7075 [278.5]	17860 [703.1]	68	5150 [202.8] (x2)
70/200							
70/250							
85/150	8660 [340.9]	2800 [110.2]	8660 [340.9]	8275 [325.8]	20260 [797.6]	76	5750 [226.4] (x2)
85/200							
85/250							
95/200	9560 [376.4]	2800 [110.2]	9560 [376.4]	9175 [361.2]	22060 [868.5]	82	6200 [244.1] (x2)
120/200	12489 [491.7]	3726 [146.7]	12489 [491.7]	12296 [484.1]	28899 [1137.8]	111	5400 [212.6] (x3)



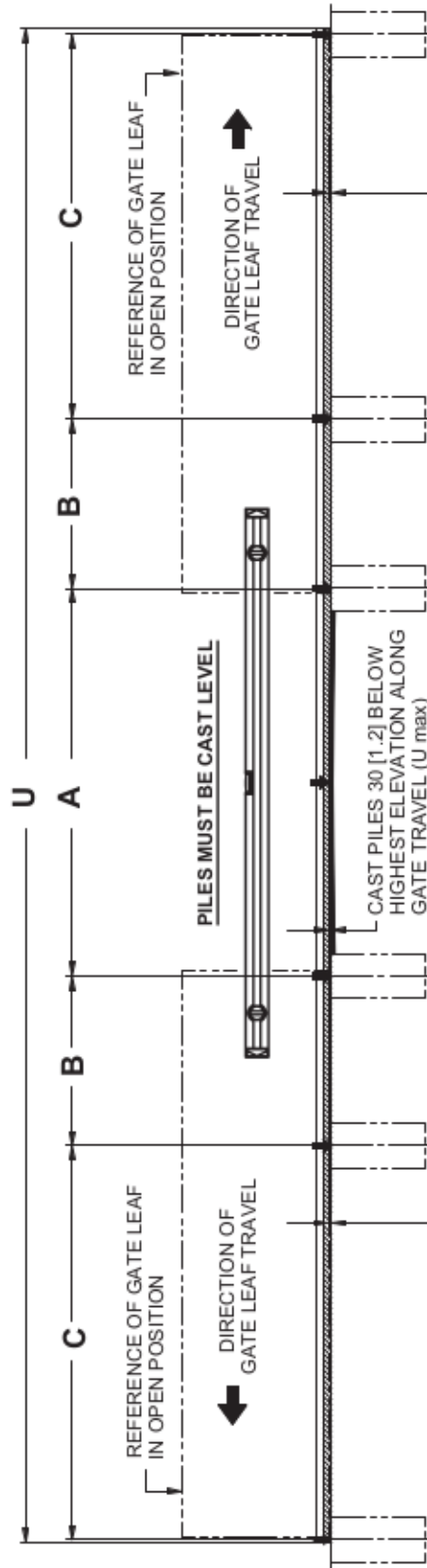
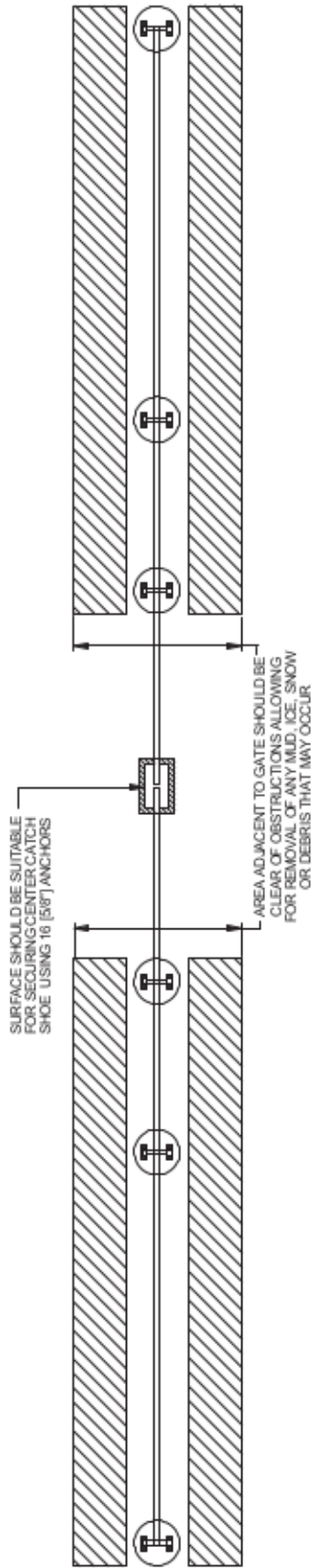
**SITE INSTALLATION NOTES**





Delta Model	A	B	C	D	U max	Picket Qty	Beam Length
30/30/150	6620 [260.6]	1800 [70.1]		6094 [239.9]	17040 [670.9]	68	5150 [202.8] (x2)
30/30/200	8720 [343.3]	1800 [70.1]		8194 [322.6]	21240 [836.2]	82	6200 [244.1] (x2)
30/30/250	10520 [414.2]	2300 [90.6]		9994 [393.5]	25840 [1017.3]	100	3800 [149.6] (x4)
60/60/150	12320 [485.0]	2300 [90.6]		11794 [464.3]	29440 [1159.1]	112	4250 [167.3] (x4)
60/60/200	14920 [587.4]	2800 [110.2]		14394 [566.7]	35640 [1403.1]	136	5150 [202.8] (x4)
60/60/250	17320 [681.9]	2800 [110.2]	8660 [340.9]	16794 [661.2]	40440 [1592.1]	152	5750 [226.4] (x4)
70/70/150	19120 [752.8]	2800 [110.2]	9560 [376.4]	18594 [732.0]	44040 [1733.9]	164	6200 [244.1] (x2)
70/70/200	24978 [983.4]	3726 [146.7]	12489 [491.7]	24452 [962.7]	55756 [2195.1]	222	5400 [212.6] (x6)

**SITE INSTALLATION NOTES**



**\*\*\* IMPORTANT NOTE \*\*\***

130 [5.0] MEASURED FROM TOP OF PILE. AREA ALONG GATE TRAVEL MUST BE CLEAR OF OBSTRUCTIONS TO ALLOW FOR PROPER OPERATION OF GATE. GROUND SHOULD BE RESILIENT ENOUGH ICE, SNOW OR DEBRIS BUILD UP.

**\*\*\* IMPORTANT NOTE \*\*\***

130 [5.0] MEASURED FROM TOP OF PILE. AREA ALONG GATE TRAVEL MUST BE CLEAR OF OBSTRUCTIONS TO ALLOW FOR PROPER OPERATION OF GATE. GROUND SHOULD BE RESILIENT ENOUGH ICE, SNOW OR DEBRIS BUILD UP.



