

DIMENSIONS ARE SHOWN IN MILLIMETERS. DIMENSIONS SHOWN IN [] ARE IN INCHES

Delta Model	H	A	B	C	D	U max	SP
50/200	2000 [78.7]	5260 [207.1]	2300 [90.6]	5260 [207.1]	4875 [191.9]	12960 [510.2]	141 [5.55]
50/250	2500 [98.4]						
60/200	2000 [78.7]	6160 [242.5]	2300 [90.6]	6160 [242.5]	5775 [227.4]	14760 [581.1]	141 [5.55]
60/250	2500 [98.4]						
70/200	2000 [78.7]	7460 [293.7]	2800 [110.2]	7460 [293.7]	7075 [278.5]	17860 [703.1]	143 [5.63]
70/250	2500 [98.4]						
85/200	2000 [78.7]	8660 [340.9]	2800 [110.2]	8660 [340.9]	8275 [325.8]	20260 [797.6]	143 [5.63]
85/250	2500 [98.4]						
95/200	2000 [78.7]	9560 [376.4]	2800 [110.2]	9560 [376.4]	9175 [361.2]	22060 [868.5]	141 [5.55]

NOTE:

PRODUCT MUST BE INSTALLED IN ACCORDANCE WITH ASTM: F-2200 & UL325

FINISH NOTES:

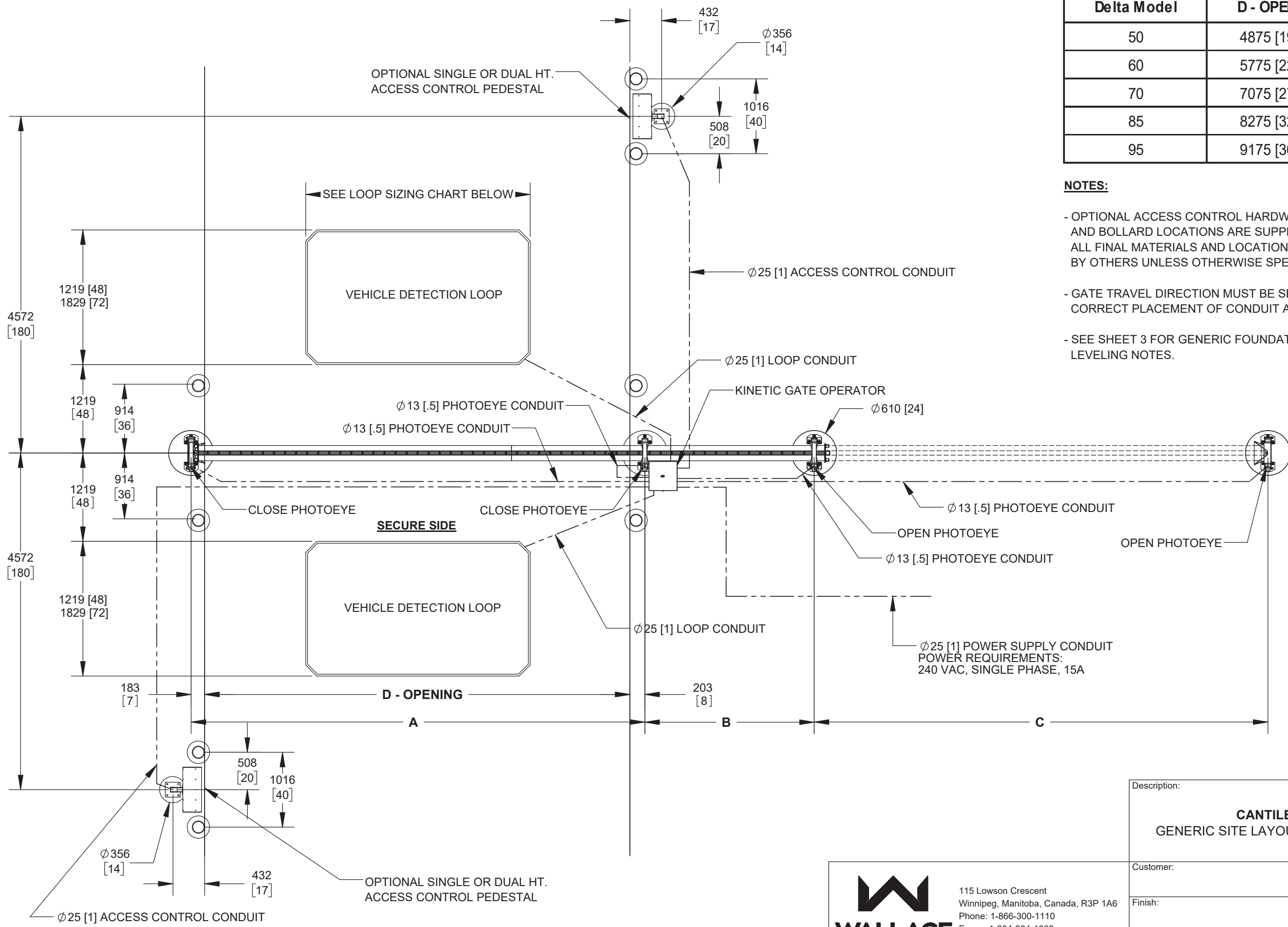
STANDARD FINISH:
HOT DIPPED GALVANIZED ON ALL STEEL COMPONENTS
MILL FINISH ON ALL ALUMINUM COMPONENTS

OPTIONAL POWDER COAT FINISH AVAILABLE, RAL# TO BE SPECIFIED

WALLACE
PERIMETER SECURITY

115 Lowson Crescent
Winnipeg, Manitoba, Canada, R3P 1A6
Phone: 1-866-300-1110
Fax: 1-204-284-1868
Web: www.wallaceperimetersecurity.com

Description:		DELTA CANTILEVER SLIDE GATE STANDARD DIMENSIONS	
Customer:			
Finish:	SEE FINISH NOTES	Date:	11/25/2022
Drawing No.	DELTA-09-26-22	Rev.	A
		Sheet:	1 of 6



Delta Model	D - OPENING	LOOP WIDTH
50	4875 [191.9]	3658 [144.0]
60	5775 [227.4]	4267 [168.0]
70	7075 [278.5]	5486 [216.0]
85	8275 [325.8]	6096 [240.0]
95	9175 [361.2]	6096 [240.0]

NOTES:

- OPTIONAL ACCESS CONTROL HARDWARE, VEHICLE DETECTION LOOP AND BOLLARD LOCATIONS ARE SUPPLIED AS A REFERENCE ONLY. ALL FINAL MATERIALS AND LOCATIONS ARE SUPPLIED AND INSTALLED BY OTHERS UNLESS OTHERWISE SPECIFIED AT TIME OF ORDER.
- GATE TRAVEL DIRECTION MUST BE SPECIFIED AT TIME OF ORDER FOR CORRECT PLACEMENT OF CONDUIT AND GATE OPERATOR.
- SEE SHEET 3 FOR GENERIC FOUNDATION SIZING, INSTALLATION AND LEVELING NOTES.

Product must be installed in accordance with ASTM: F-2200 & UL325


WALLACE
 PERIMETER SECURITY
 115 Lawson Crescent
 Winnipeg, Manitoba, Canada, R3P 1A6
 Phone: 1-866-300-1110
 Fax: 1-204-284-1868
 Web: www.wallaceperimetersecurity.com

Description: DELTA CANTILEVER SLIDE GATE GENERIC SITE LAYOUT / CONDUIT REQUIREMENTS		
Customer:		
Finish:	Date:	11/25/2022
Drawing No. DELTA-09-26-22	Rev. A	Sheet: 2 of 6

FIGURE 3-1

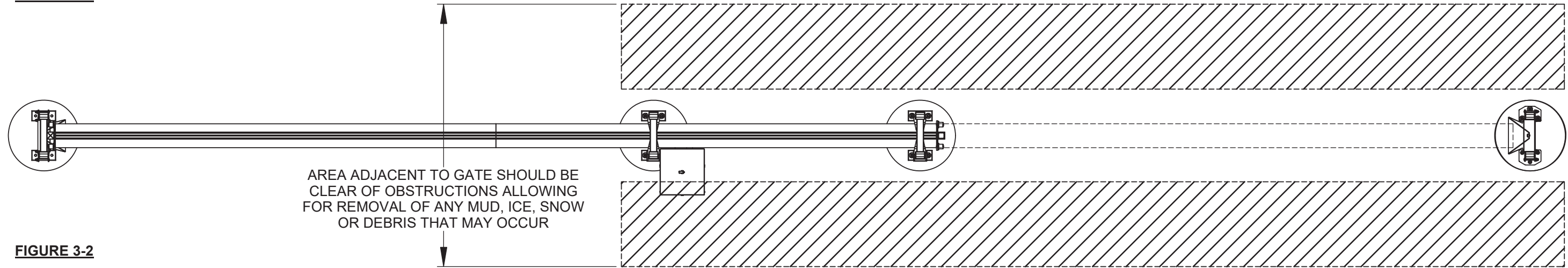


FIGURE 3-2

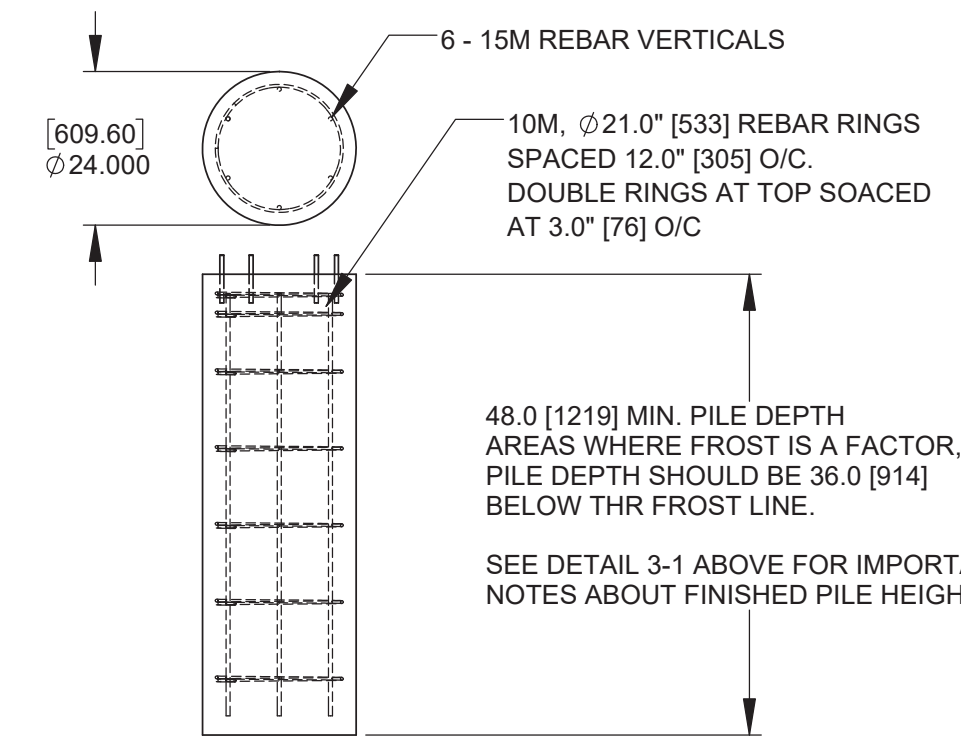
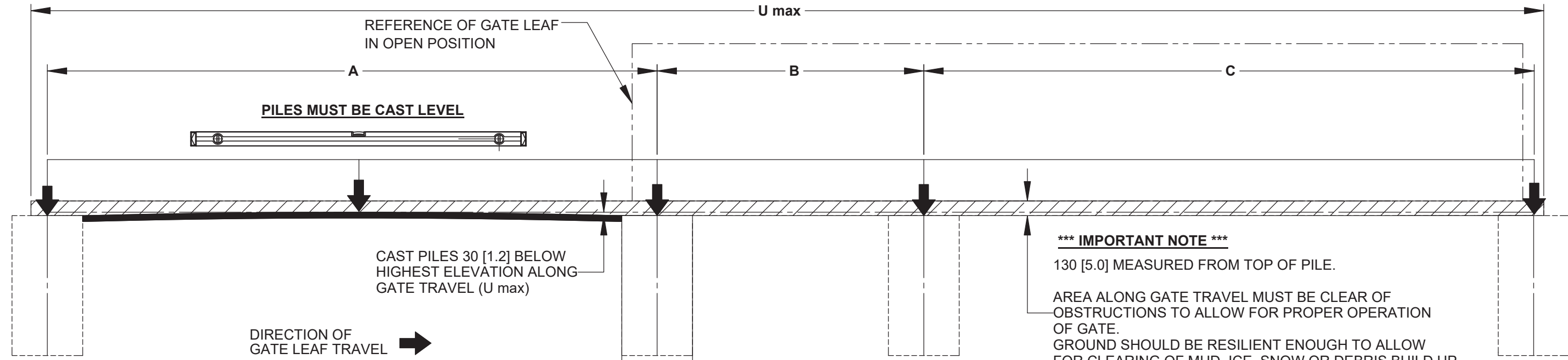


FIGURE 3-3: CONCRETE PILE
FOUNDATIONS ARE SHOWN AS A RECOMMENDED PILE TYPE ONLY. LOCAL SOIL CONDITIONS AND TEMPERATURES WILL DICTATE THE ACTUAL FOUNDATIONS REQUIRED.
MINIMUM RECOMMENDED PILE DEPTH IS 48.0" [1219]

48.0 [1219] MIN. PILE DEPTH AREAS WHERE FROST IS A FACTOR, PILE DEPTH SHOULD BE 36.0 [914] BELOW THR FROST LINE.

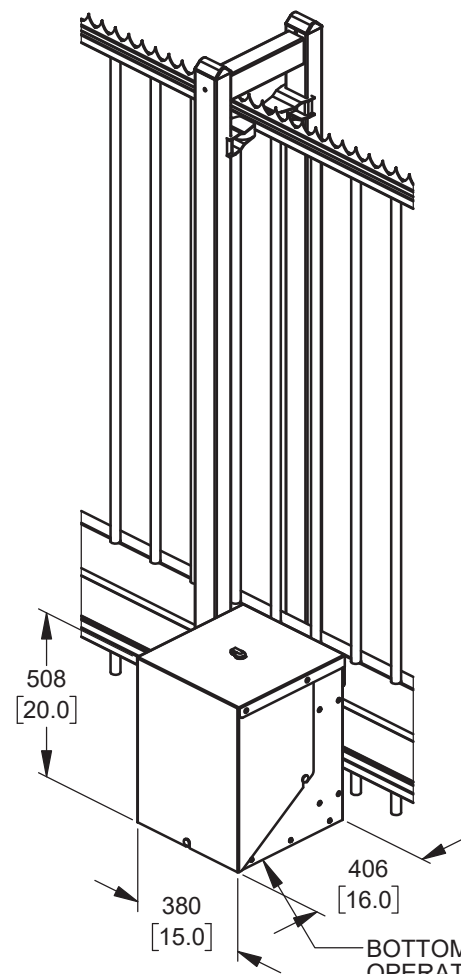
SEE DETAIL 3-1 ABOVE FOR IMPORTANT NOTES ABOUT FINISHED PILE HEIGHTS

610 [24.0] PILE SEE FIGURE 3-3 FOR CONCRETE PILE DETAILS

115 Lowson Crescent
Winnipeg, Manitoba, Canada, R3P 1A6
Phone: 1-866-300-1110
Fax: 1-204-284-1868
Web: www.wallaceperimetersecurity.com

Product must be installed in accordance with ASTM: F-2200 & UL325

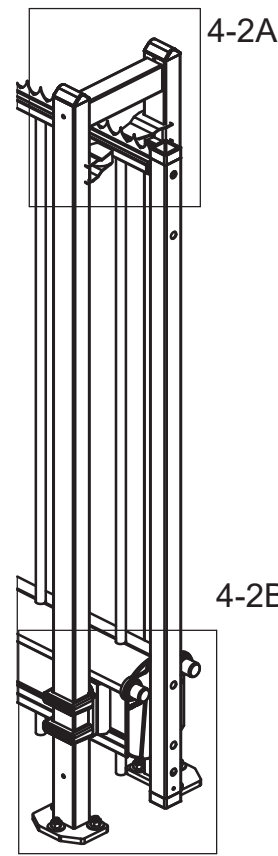
Description: DELTA CANTILEVER SLIDE GATE FOUNDATION INSTALLATION NOTES		
Customer:		
Finish:	Date: 4/27/2023	
Drawing No. DELTA-09-26-22	Rev. A	Sheet: 3 of 6



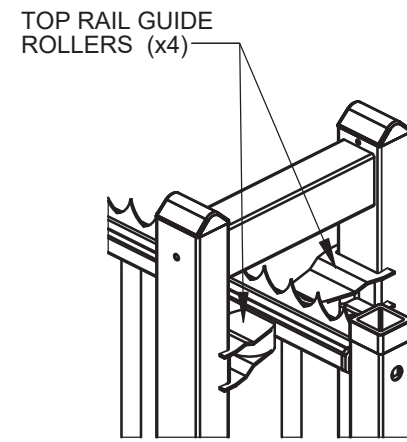
BOTTOM OF KINETIC GATE OPERATOR IS 81 [3] FROM GRADE

NOTE:
KINETIC GATE OPERATOR IS LOCATED ON THE SECURE SIDE OF GATE. GATE TRAVEL DIRECTION MUST BE SPECIFIED AT TIME OF ORDER TO DETERMINE CORRECT CONTROLLER LOCATION. REFER TO SHEET 2 FOR MORE INFORMATION.

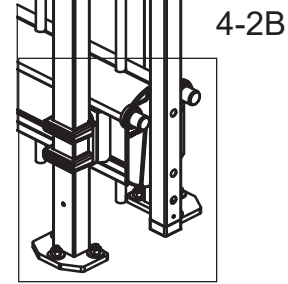
DETAIL 4-1 - GATE CONTROLLER



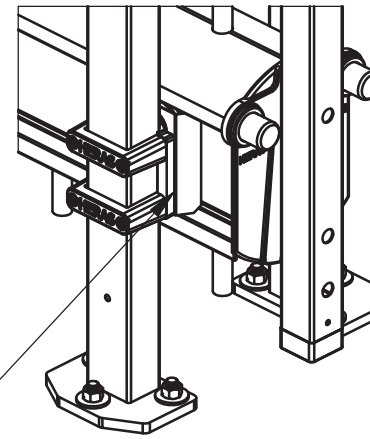
4-2A



DETAIL 4-2A - TOP RAIL GUIDE ROLLER



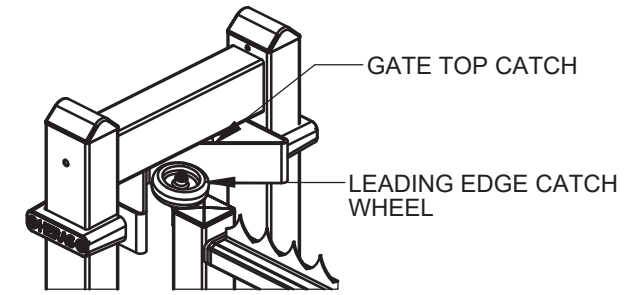
4-2B



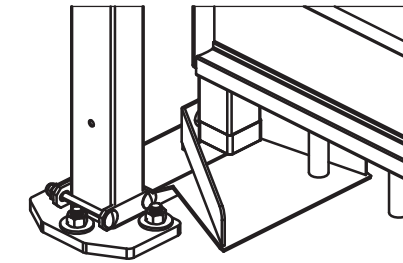
DETAIL 4-2B - MAIN BEAM ROLLER SET

MAIN BEAM ROLLER SET (X2)

DETAIL 4-2 - ROLLERS



DETAIL 4-3A - LEADING EDGE CATCH WHEEL

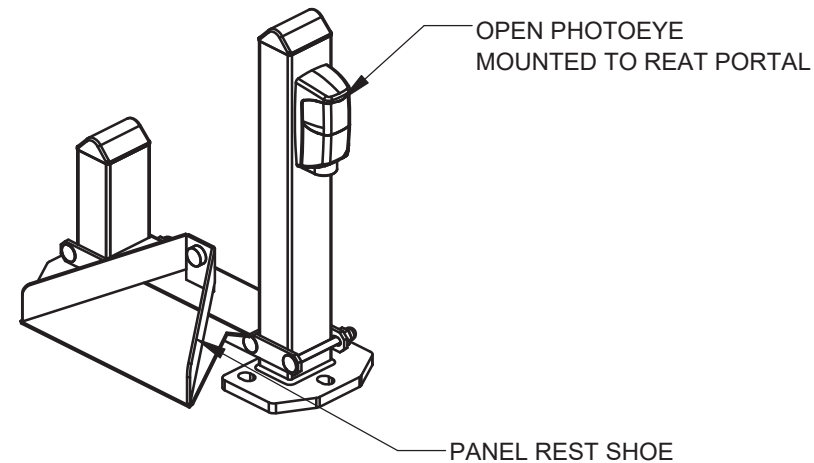


DETAIL 4-3B - BOTTOM PANEL CATCH / REST

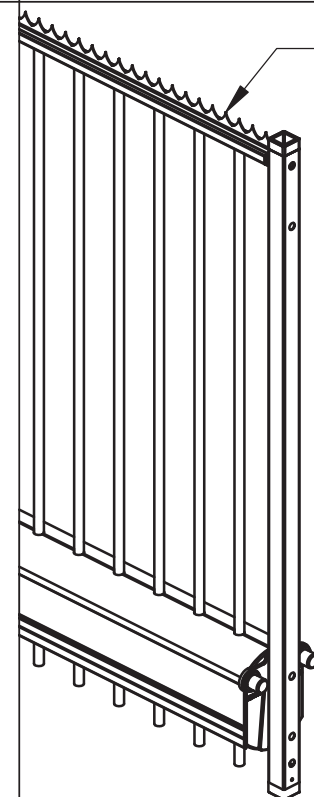
4-3A

4-3B

DETAIL 4-3 - PANEL CATCH PORTAL



DETAIL 4-4 - PANEL REST PORTAL



DETAIL 4-4 - PANEL PICKETS \ DETAILS

SERRATED ANTI-CLIMB EDGE

45 [1.8]

50 [2.0]

Ø26 [1.0]

SEE CHART ON PAGE 1

NOTES:

GATE FINISH:

- HOT DIPPED GALVANIZED FINISH ON ALL STEEL COMPONENTS
- ALUMINUM GATE BEAMS - CLEAR ANODIZED FINISH

OPTIONAL FINISH:

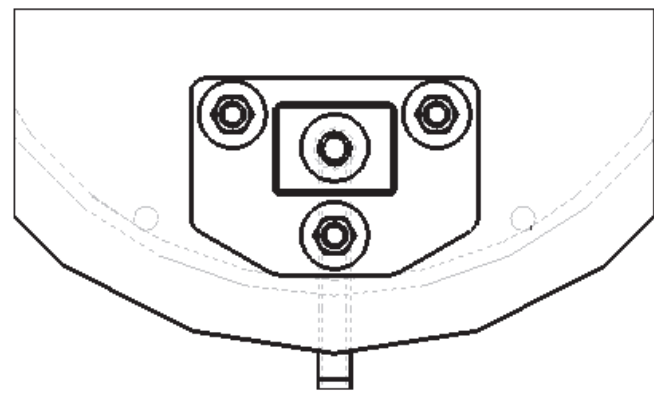
- POWDER COAT FINISH AVAILABLE - RAL COLOR NUMBER MUST BE PROVIDED AT TIME OF ORDER

GATE MUST BE INSTALLED IN ACCORDANCE WITH ASTM F-2200 & UL325

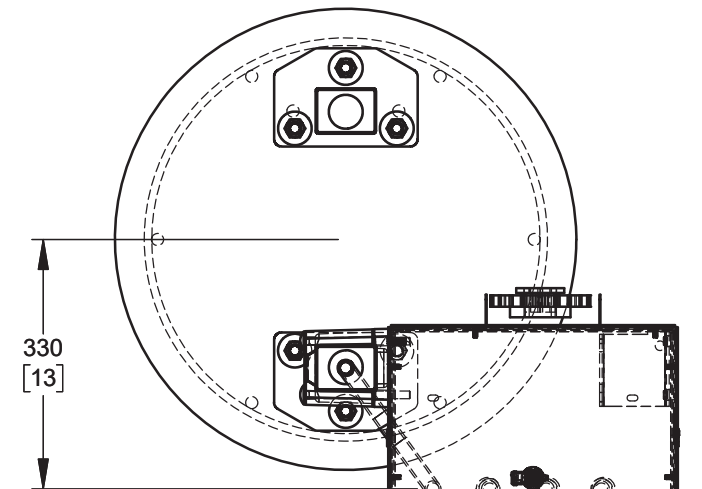
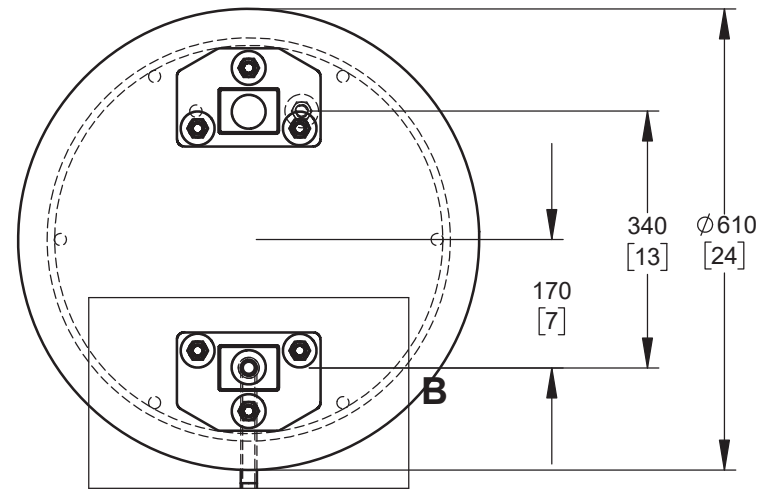
Description:		DELTA CANTILEVER GATE SYSTEM DETAILS & NOTES	
Customer:			
Finish:		Date:	11/26/2022
Drawing No.	DELTA-09-26-22	Rev.	A
		Sheet:	4 of 6



115 Lowson Crescent
Winnipeg, Manitoba, Canada, R3P 1A6
Phone: 1-866-300-1110
Fax: 1-204-284-1868
Web: www.wallaceperimetersecurity.com

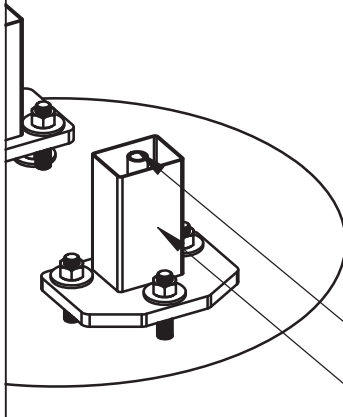


DETAIL B
USE TEMPLATE SUPPLIED WITH DELTA GATE TO ENSURE PROPER PLACEMENT OF CONDUIT IN PILE



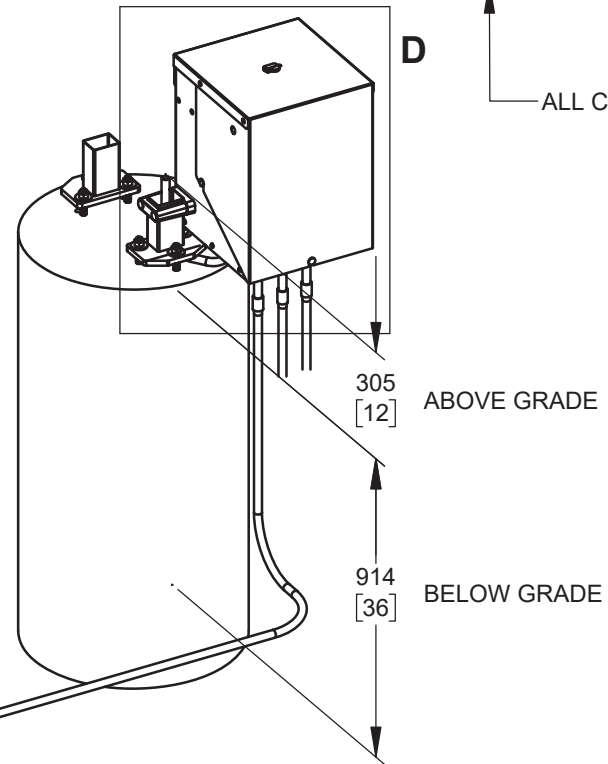
- 13mm 1/2" FLEX TYPE PHOTOEYE CONDUIT
- 25mm 1" POWER CONDUIT
- 25mm 1" COMMUNICATION CONDUIT
- 25mm 1" SPARE CONDUIT

KINETIC GATE OPERATOR



DETAIL C
CATCH PORTAL PHOTOEYE CONDUIT INSTALLED ON SECURE SIDE OF GATE PORTAL

- 13 [1/2"] FLEX TYPE CONDUIT
- CATCH PORTAL, SECURE SIDE OF GATE

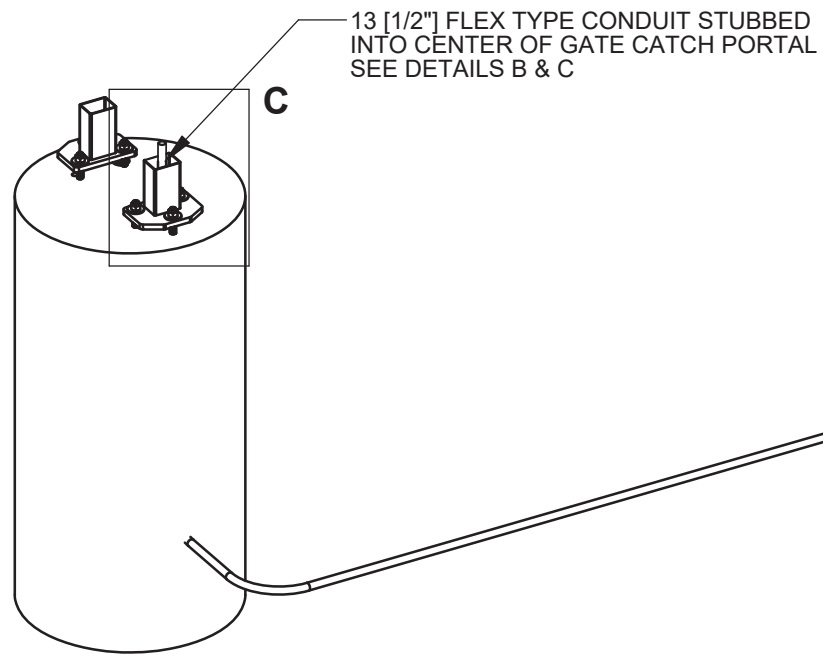
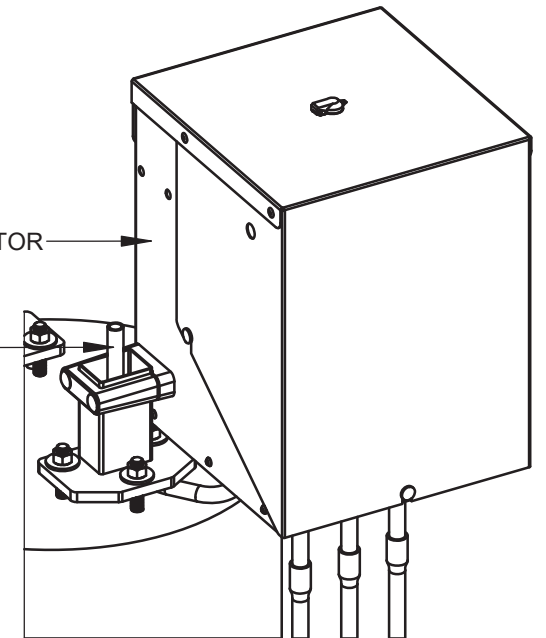


ALL CONDUIT BELOW GRADE TO BE RIGID TYPE PVC

KINETIC GATE OPERATOR

13 [1/2"] FLEX TYPE CONDUIT FROM KINETIC GATE OPERATOR TO PHOTOEYE MOUNTED ON PORTAL - BY GATE INSTALLERS
GROUT FLEX CONDUIT IN PLACE WHEN INSTALLATION IS COMPLETE.

DETAIL D
OPERATOR / PORTAL PHOTOEYE CONDUIT

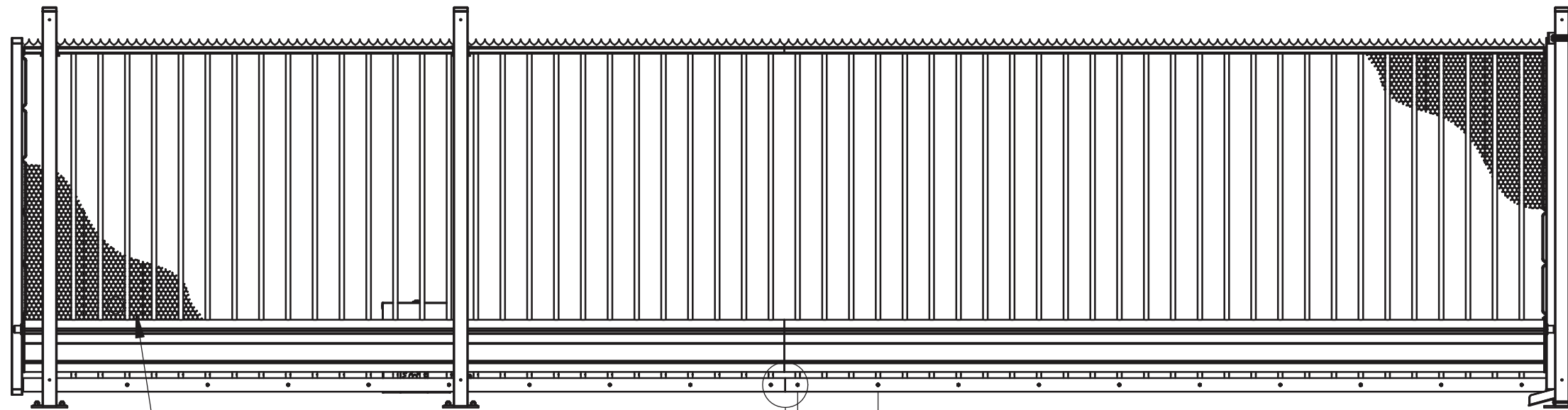


Product must be installed in accordance with ASTM: F-2200 & UL325



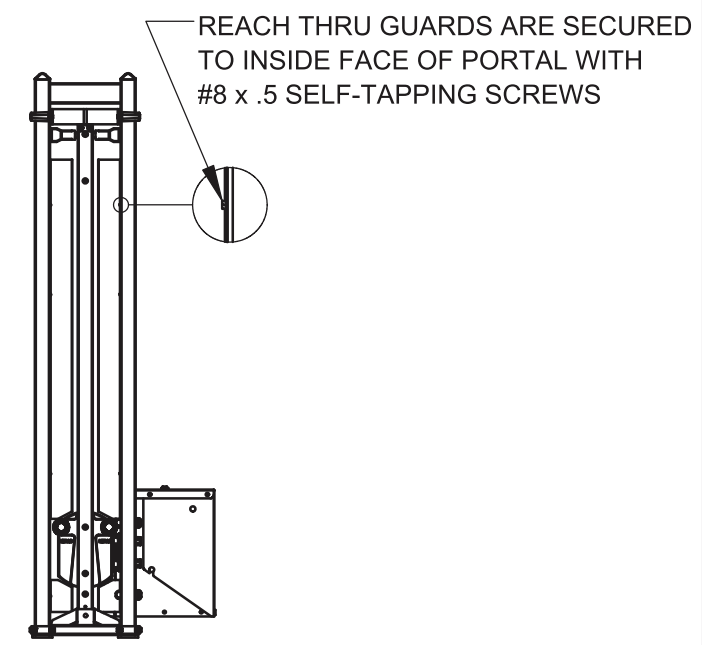
115 Lowson Crescent
Winnipeg, Manitoba, Canada, R3P 1A6
Phone: 1-866-300-1110
Fax: 1-204-284-1868
Web: www.wallaceperimetersecurity.com

Description:		
DELTA CANTILEVER SLIDE GATE CONDUIT		
Customer:		
Finish:	Date:	
	11/28/2022	
Drawing No.	Rev.	Sheet:
DELTA-09-26-22	A	5 of 6



20ga REVERSE TWIST PVC BLACK HEX NETTING SECURED TO PICKETS AND END MESH RETAINERS WITH 9ga FENCE TIES.

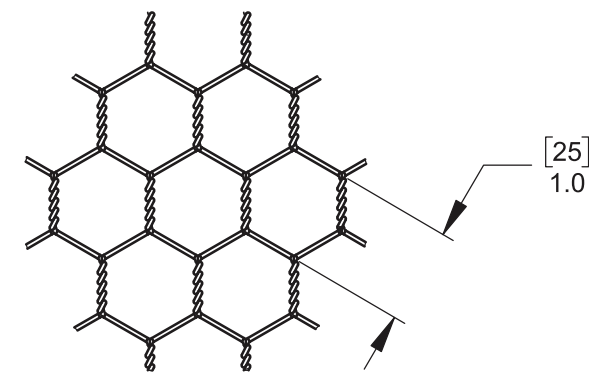
[450]
17.7



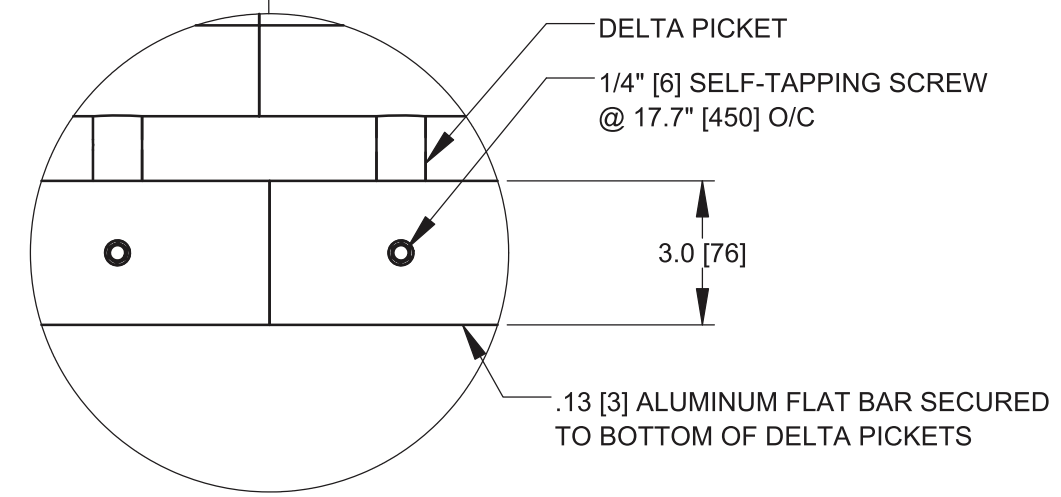
REACH THRU GUARDS ARE SECURED TO INSIDE FACE OF PORTAL WITH #8 x .5 SELF-TAPPING SCREWS

DETAIL C
PORTAL REACH THRU GUARDS

DETAIL A
20ga 1.0" [25] REVERSE TWIST HEX NETTING

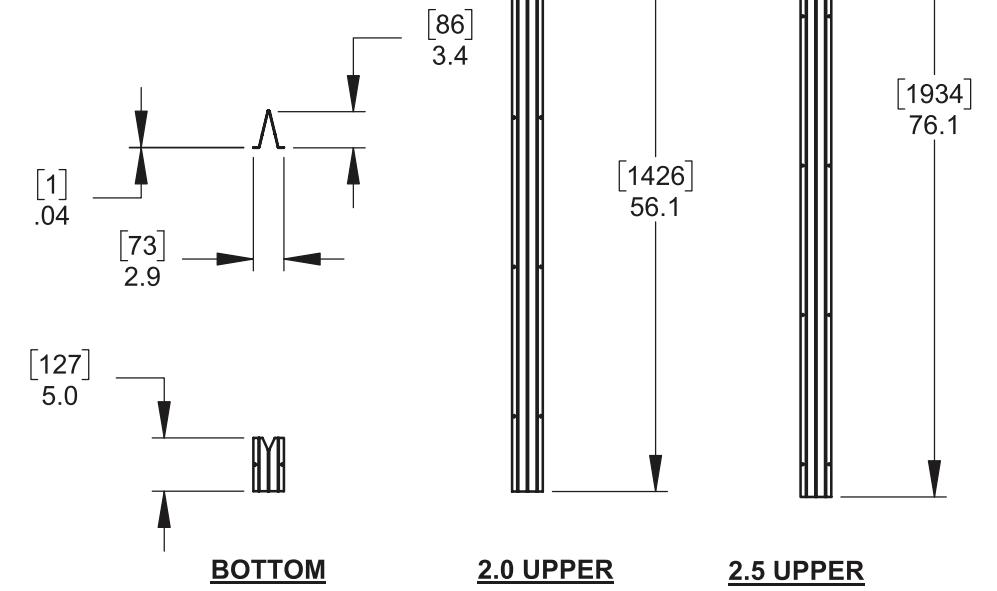


[25]
1.0



DELTA PICKET
1/4" [6] SELF-TAPPING SCREW @ 17.7" [450] O/C
3.0 [76]
.13 [3] ALUMINUM FLAT BAR SECURED TO BOTTOM OF DELTA PICKETS

DETAIL B
3.0 [76] x .13 [3] BOTTOM PICKET GUARD



[1]
.04

[73]
2.9

[127]
5.0

[86]
3.4

[1426]
56.1

[1934]
76.1

BOTTOM

2.0 UPPER

2.5 UPPER

Description: DELTA GATE UL325 KIT INSTALLATION DETAIL		
Customer:		
Finish:	Date: 11/25/2022	
Drawing No. DELTA-09-26-22	Rev. A	Sheet: 6 of 6


WALLACE
 PERIMETER SECURITY
 115 Lawson Crescent
 Winnipeg, Manitoba, Canada, R3P 1A6
 Phone: 1-866-300-1110
 Fax: 1-204-284-1868
 Web: www.wallaceperimetersecurity.com