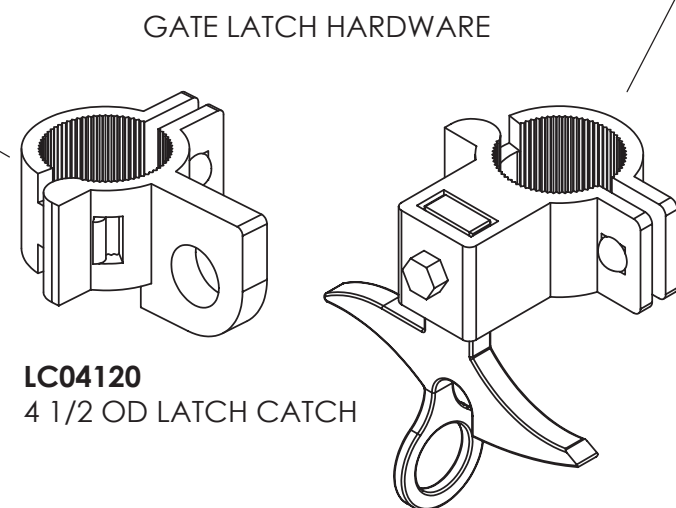


7' (2134mm) + 1' (305mm) CHAIN LINK FENCE & GATE DETAIL

c/w 3 STRANDS BARBED WIRE

NOTES: ALL POST INSTALLED BY PNEUMATICALLY DRIVEN METHOD



DL11160
1 11/16'' OD DROP LATCH

Description:	
7 FT. (2134mm) + 1' (305mm) BARBED WIRE CHAIN LINK FENCE / GATE DETAIL c/w 3 STRANDS BARBED WIRE	
Project / Customer Name:	
-	
Finish:	Date:
	06/20/11
Drawing No.	Rev.
7-1-CLG-06-20-11	
	Sheet: 1 of 1

**WALLACE
+WALLACE**

90 Lawson Crescent,
Winnipeg, Manitoba, Canada R3P 2H8
Phone: 1-866-861-5200
Fax: 1-204-284-1868
Web: www.wallacefences.com