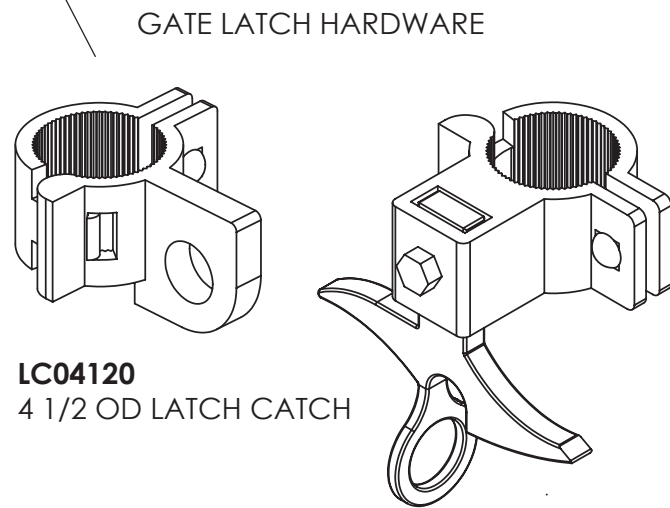


# 1829mm (6') / 2438mm (8') + 1 CHAIN LINK FENCE & GATE DETAIL

c/w 3 STRANDS BARBED WIRE



**DL11160**  
1 11/16" OD DROP LATCH

Description:		<b>1829mm (6') / 2438mm (8') +1 CHAIN LINK FENCE / GATE DETAIL c/w 3 STRANDS BARBED WIRE</b>	
Project / Customer Name:		-	
Finish:	Date:	02/14/2012	
Drawing No.	Rev.	Sheet:	
<b>6-8+1-CLG-02-14-12</b>		<b>1 of 1</b>	



90 Lawson Crescent,  
Winnipeg, Manitoba, Canada R3P 2H8  
Phone: 1-866-861-5200  
Fax: 1-204-284-1868  
Web: www.wallacefences.com