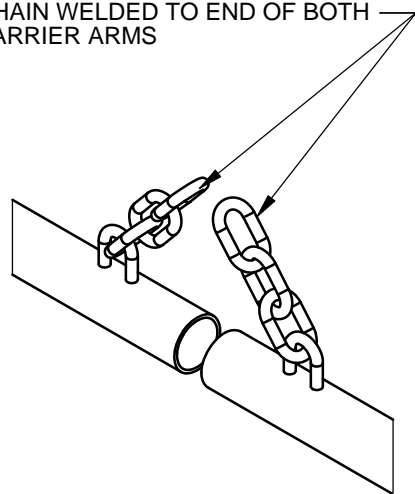
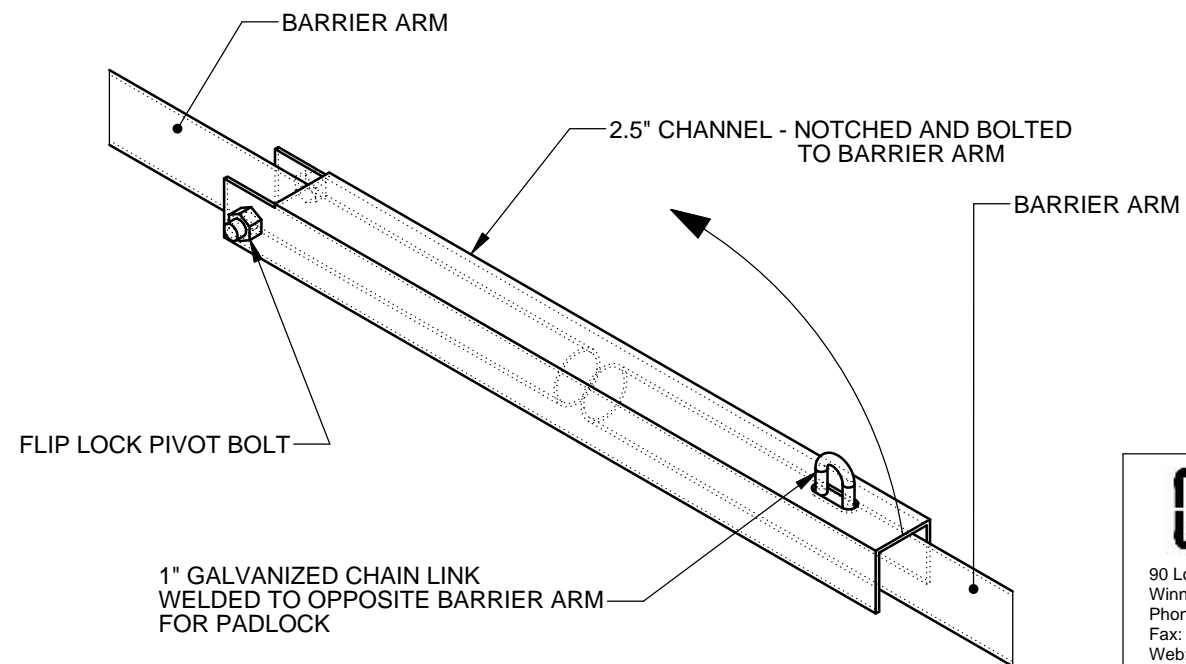


STANDARD LOCK - CHAIN LOCK

1 FOOT OF 5/16" GALVANIZED CHAIN WELDED TO END OF BOTH BARRIER ARMS



OPTIONAL LOCK - FLIP LOCK



90 Lawson Crescent,
Winnipeg, Manitoba, Canada R3P 2H8
Phone: 1-866-406-2342
Fax: 1-204-284-1868
Web: www.wallacefences.com

Description:			
BARRIER ARM			
Project / Customer Name:			
-			
Finish:			Date:
HOT DIPPED GALVANIZED FINISH			
Drawing No.		Rev.	Sheet:
BARRIER ARM		-	1 of 1